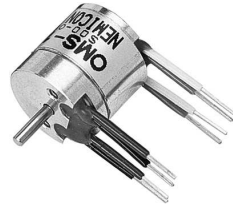


NEMICON

MINIATURE TYPE

OMS-T Model

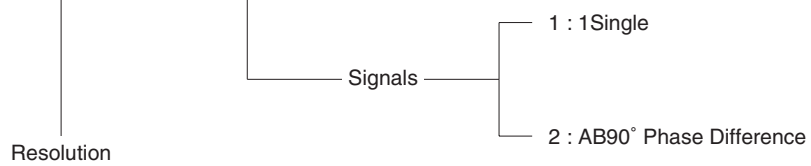


Miniature Model

- Ultra Micro Encoder : $\phi 12$.
- Ultra Light Encoder Max : 8g.

Model

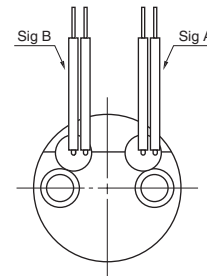
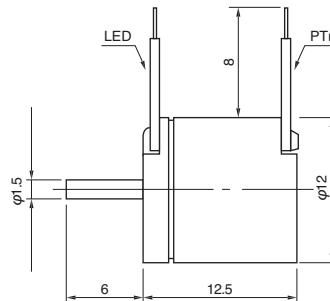
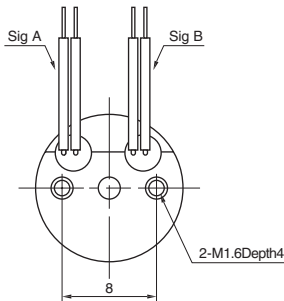
OMS - [] [] - [] T



NOTE) Output Mode is Sine Wave Signal

50	50 P/R	90	90 P/R	125	125 P/R
60	60 P/R	100	100 P/R		

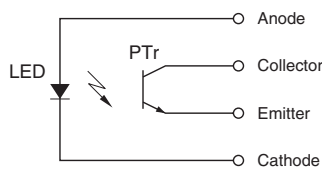
External Dimension



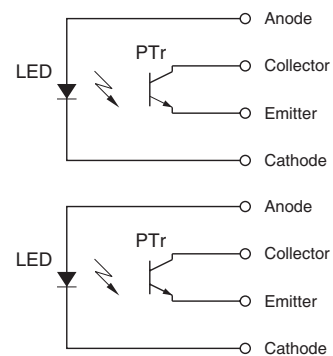
※ Install without stress on wires.

Circuit of Output Signal

1T



2T



Electrical Spec.

TYPE	1T	2T
LED Current	IF = 26 mA Max	
Maximum Frequency Response	10 KHz	
Output Signal Amplitude	150 mVp-p or More	
Output Amplitude Variation	40 % Max	

Electrical Connections

Color of Lead Wire	Description
Red	Anode
Black	Cathode
Blue	Collector
White	Emitter

Max. Rating of Electronic Elements

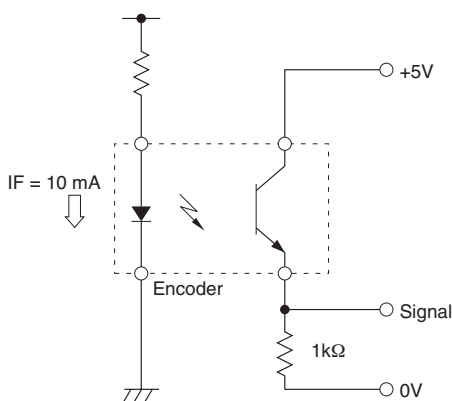
LED Light Emitting Diode

Max. Current Flow	IF ; 60 mA
Reverse Voltage	VR ; 4 V
Derate(25 to 70°C)	- 1.73 m W / °C

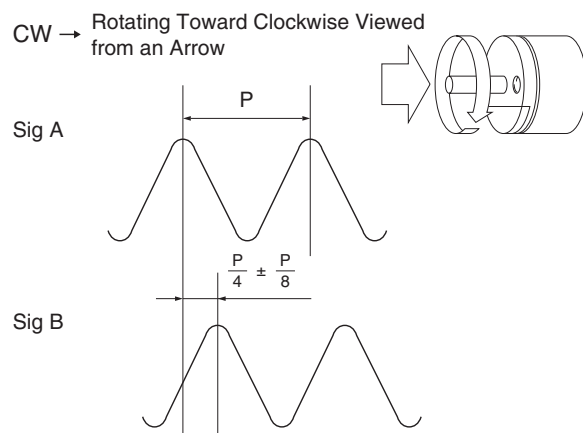
PTT Photo Transistor

Collector-Emitter Voltage	V _{CEO} ; 20 V
Emitter-Collector Voltage	V _{ECO} ; 5 V
Collector Current	I _c ; 20 mA
Collector Power Dissipation	P _c ; 75 mW
Derate(25 to 70°C)	- 1.0 m W / °C

Test Circuit



Wave Form.



Mechanical Spec.

Starting Torque	9.8×10 ⁻⁵ N · m Max	
Shaft Loading	Thrust axial	0.98N
	Radial	0.98N
Moment of Inertia	2×10 ⁻⁹ kg · m ²	
Maximum RPM	6000r/min	
Net Weight	8g Max	

Environmental Spec.

Operating Temperature	0°C ~ +50°C
Storage Temperature	- 20°C ~ +80°C
Humidity	RH 85% Max No Condensation
Vibration	50 Hz / 98m/s ² 1 h
Shock	294m/s ² , 11ms X, Y, Z Each 3 times
Degree of Protection	IP50

Headquarter Switzerland:
Angst+Pfister Sensors and Power AG

Thurgauerstrasse 66
CH-8050 Zurich
Phone +41 44 877 35 00
sensorsandpower@angst-pfister.com

Office Germany:
Angst+Pfister Sensors and Power
Deutschland GmbH
Edisonstraße 16
D-85716 Unterschleißheim
Phone +49 89 374 288 87 0
sensorsandpower.de@angst-pfister.com



We are here for you. Addresses and Contacts.

Sales Germany & Austria

Geometrical sensors
Other products

Kurt Stritzelberger
Phone +49 89 374 288 87 22
kurt.stritzelberger@angst-pfister.com

Pressure sensors
Other products

Gerhard Vetter
Phone +49 89 374 288 87 26
gerhard.vetter@angst-pfister.com

Gas sensors and modules

Peter Felder
Phone +41 44 877 35 05
peter.felder@angst-pfister.com

Sales Switzerland & Liechtenstein

Postcode 3000 – 9999

Basil Frei
Phone +41 44 877 35 18
basil.frei@angst-pfister.com

Postcode 1000 – 2999

Christian Mohrenstecher
Phone +41 76 444 57 93
christian.mohrenstecher@angst-pfister.com

Sales International Key Accounts

Peter Felder
Phone +41 44 877 35 05
peter.felder@angst-pfister.com

Sales Other Countries / Product Management

Pressure Sensors
Load Cells

Philipp Kistler
Phone +41 44 877 35 03
philipp.kistler@angst-pfister.com

Gas sensors
Gas sensor modules

Dr. Thomas Clausen
Phone +49 89 374 288 87 24
thomas.clausen@angst-pfister.com

Flow / Level / Medical products

Dr. Adriano Pittarelli
Phone +49 89 374 288 87 67
adriano.pittarelli@angst-pfister.com

Power supplies

Sebastiano Leggio
Phone +41 44 877 35 06
sebastiano.leggio@angst-pfister.com

Linear position sensors
Angle sensors

Eric Letsch
Phone +41 44 877 35 14
eric.letsch@angst-pfister.com

Accelerometers
Sensor elements

Christoph Kleye
Phone +49 89 374 288 87 61
christoph.kleye@angst-pfister.com

Drive technology
CH Postcode 5000 – 9999 / DE

Roman Homa
Phone +41 76 444 00 86
roman.homa@angst-pfister.com

Drive technology
CH Postcode 1000 – 4999 / AT / IT / FR

Christian Mohrenstecher
Phone +41 76 444 57 93
christian.mohrenstecher@angst-pfister.com

Harald Thomas
Phone +49 89 374 288 87 23
harald.thomas@angst-pfister.com