

**N33MA-M42 Series****42-bit Full Magnetic Energy Harvesting Multi-Turn Absolute Encoder Module****Preliminary Datasheet****Encoder Part Numbers**

N33	M	A	-	M	42	*	-	*	*	-	00	E
												RoHS compliant
												Specification No.: Standard type
												Operating Voltage:
												5: 5V±10%
												7: 7 to 12.5V
												Hub screw:
												3: M3 pitch0.5
												4: M4 pitch0.7
												Protocol:
												B: Biss-C(10MHz)
												S: SSI(1MHz)
												K: RS485 Half-duplex(2.5MHz)
												Resolution:
												42: 42bits (Single:18bit Multi:24bit)
												M: Multi Turn
												A: Absolute
												M: Moduler type

**1. Introduction****1.1 Description**

M33MA-M42 series encoder is an absolute magnetic encoder, which offers 18-bit single-turn (ST) and 24-bit multi-turn (MT) counts, hence a combined 42-bit high resolution encoder. Design of the encoder features state of the art Energy Harvesting Multi-turn technology. To improve system integrity and simplicity, a single magnetic solution is responsible for both ST and MT positions generation.

The key advantage of N33MA-M42 series encoder is the patented energy-harvesting technology for revolution tracking. This technology converts rotating magnetic field into electrical energy, which powers the revolution tracking circuit. The beauty of Energy Harvesting technology is that the same amount of energy is generated independent of encoder rotation speed and direction. The generated energy is sufficient to power up the multi-turn counter circuitry. Therefore, no loss of revolution count even in the absence of external power supply. On the other hand, when comparing to battery backed up multi-turn counting, this technology does not require periodic maintenance of the battery backup components and the down time associated with it.

N33MA-M42 series encoder has a built in communication protocol, which is supported by a full-duplex or half-duplex line transmissions drive, offering good noise immunity for more robust transmission of data up to 10Mbps in harsh industrial applications. Being a magnetic technology-based encoder, it is robust against contamination such as dust and finger print on the sensing element. As a result, it requires less stringent control in production handling and harsh environment.

**1.2 Operating Theory**

N33MA-M42 series encoder contains two major blocks, which are MT revolution tracking block and ST absolute position block. Both MT and ST blocks are based on magnetic technology. The MT block employs energy harvesting technology whilst the ST block implements magnetic sensor for absolute position generation.

When encoder is powered up, encoder absolute position is generated by synchronizing the MT revolution count to the ST absolute position; and henceforth tracked by the ST absolute position.

## N33 Series Datasheet(Preliminary)

**1.2 Features**

- Patented Energy Harvesting technology
- Total 42-bit resolution with 18-bit single-turn and 24-bit multi-turn
- Overall encoder outer diameter Ø33 mm and maximum height of 20 mm
- Built-in communication protocol (option): SSI (2MHz), BiSS C (10MHz) & RS-485 half-duplex (2.5, 5.0, 10MHz)
- Built-in temperature sensor
- Operating temperature range -40°C to 115°C.

**1.3 Benefits**

- No battery or capacitor required for position detection during power failure
- Immediate position detection on power up
- Cost effective solution
- Robust environment

**1.4 Applications**

- Small motors and linear Actuator
- Robotic automation and Engineering
- Drone
- Test and Measurement Equipment

**Note:** The encoder is not recommended for use in life critical applications, e.g. ABS braking systems, power steering, life support and critical care systems and medical equipment. Please contact sales representative if more clarification is needed.

## 2. Product Specifications

**Table 1. Absolute Maximum Rating**

Note: Exposure to absolute maximum rating conditions for extended periods may affect reliability.

Parameters	Symbol	Min	typ	Max	Unit	Remark
Supply Voltage	V <sub>DD</sub>	-0.3		15	V	
Operating temperature	T <sub>J</sub>	-40		115	°C	
Storage temperature	T <sub>s</sub>	-40		115	°C	
Permissible Speed	-	-	-	12,000	rpm	Note (1)

**Recommended Operating Conditions**
**Table 2. Electrical Specification Over T<sub>amb</sub> = 25°C**

Parameters	Conditions	Min	Typ	Max	Unit	Remark
Supply Voltage	-	4.5	-	5.5	V	N33MA-M42-x5x
		7	-	12.5	V	N33MA-M42-x7x
Supply Current	Without load	-	55	65	mA	N33MA-M42-x5x
		-	45	55	mA	N33MA-M42-x7x
System Accuracy	With electrical correction <sup>(2)</sup>	-	±0.087	-	deg	

**Table 3. Mechanical Specifications**

Parameters	Conditions	Min	Typ	Max	Unit	Remark
Max axial shaft play	-	-	-	±0.2	mm	
Max radial shaft play	-	-	-	±0.05	mm	
Vibration	Per IEC 60068-2-6	-	-	10G; 10~2000Hz	-	
Shock	Per IEC 60068-2-27	-	-	6ms; Half Sine; 200G	-	

**Table 4. Environmental Specifications**

Parameters	Conditions	Min	Typ	Max	Units	Remark
Relative Air Humidity (Non-Condensing)	T <sub>amb</sub> = 60°C	-	90	-	RH%	
Electrostatic Discharge (Module level)	Per IEC 61000-4-2	-	-	±4	kV	

**Table 5. Internal Temperature Sensor Specifications**

Parameters	Conditions	Min	Typ	Max	Units	Remark
Resolution		-	1	-	°C	
Accuracy of evaluation circuit	25°C to 115°C	-5	-	5	°C	
	-40°C to 25°C	-7	-	7	°C	
Temperature range <sup>(3)</sup> <sup>(4)</sup>		-40	-	125	°C	Note (3) (4)
Calculation Time		-	-	100	ms	

**Table 6. Encoder Specifications**

Parameter	Remarks
Single turn Resolution	Single-turn 18 bits (262143 counts)
Multi-turn Resolution	Multi-turn 24 bits (16777216 counts)
Counting Direction	Increase with counter-clockwise (CCW) motor shaft rotation, view from encoder top
Initialization Time	500ms

Note:

- (1) Encoder works reliably up till this permissible speed.
- (2) Under recommended magnetic shielding enclosure and calibration at ambient 25°C. Any wear and tear condition that might affect total indicated runout of motor shaft will cause encoder accuracy drift.
- (3) Temperature error alarm setting = 115°C . Temperature readout is 2nd complement value.
- (4) Temperature sensor is not available for SSI version product.
- (5) Exposure to absolute maximum rating conditions for extended periods may affect reliability; and stress greater than the absolute maximum rating may cause permanent damage to the device.

### 3. Protocol Specifications

#### 3.1 SSI Specifications

**Table 7. SSI Interface**

Interface	Circuit	Remark
Shift Clock (SCLK)	Receiver (P/N: ISL3283E)	
Data Output (DAT)	Transmitter (P/N: ISL3295E)	

**Table 8. SSI Timing Characteristics**

Parameters	Symbol	Conditions	Min	Typ	Max	Unit	Remark
Clock frequency	$f_{CLK}$	-	100	-	2000	kHz	
Clock duty	$DUT_{CLK}$	-	-	50	-	%	
Monoflop time	$t_m$	-	-	-	20	$\mu s$	
Pause time	$t_p$	-	21	-	-	$\mu s$	

**Table 9. SSI Data Field**

MT[23:0]	ST[17:0]	Status[0]	Alarm[0]
----------	----------	-----------	----------

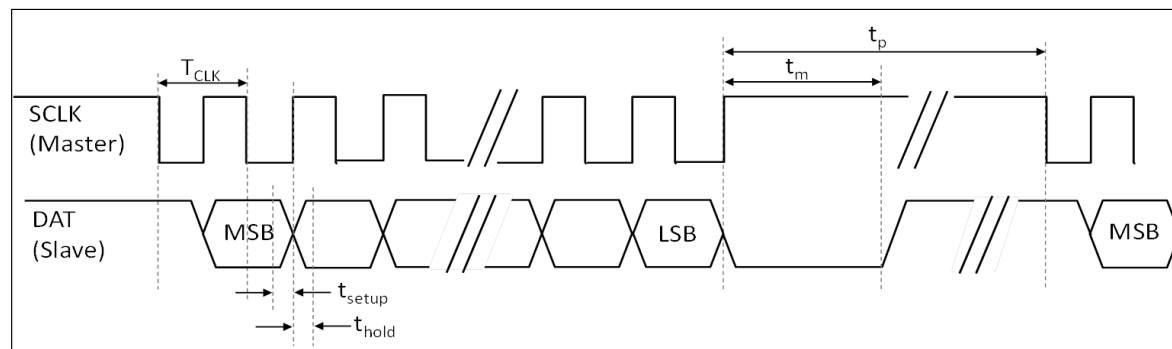


Figure 1. SSI Interface Timing Diagram

#### SSI Command list

Command	Signal
42-bit Position Zero Reset	100ms Hi-Lo-Hi Pulse to SPI_DIN pin

### 3.2 BiSS C Specifications

**Table 10. BiSS C Interface**

Interface	Circuit	Remark
Serial Clock (MA)	Receiver (P/N: ISL3283E)	
Serial Data Output (SLO)	Transmitter (P/N: ISL3295E)	

**Table 11. BiSS C Timing Characteristics**

Parameters	Symbol	Conditions	Min	Typ	Max	Unit	Remark
MA frequency	$f_{MA}$	-	0.08	-	10	MHz	
MA duty	$DUT_{CLK}$	-	-	50	-	%	
Busy	$T_{busy}$	-	-	-	5	$\mu s$	
Timeout	$t_{BiSS-timeout}$	-	-	-	5	$\mu s$	
Frame to Frame		-	-	-	1	$\mu s$	

**Table 12. BiSS C Data Field**

MT[23:0]	ST[17:0]	Error[0]	Warning[0]	CRC[5:0]
----------	----------	----------	------------	----------

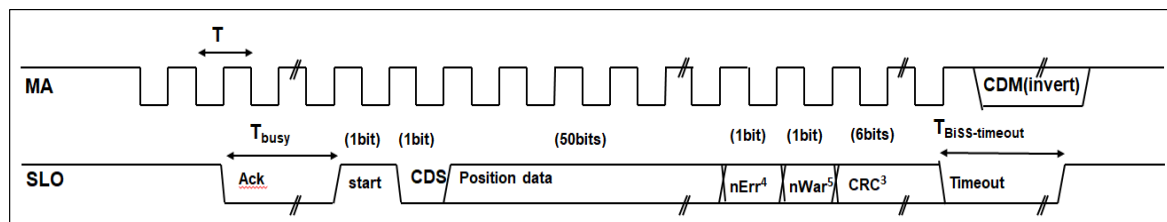


Figure 2. BiSS C Interface Timing Diagram

Note:

1. CRC Polynomial = Invert of  $(X^6 + X^1 + X^0)$ .
2. nErr bit is active low. (Combine all the Error Status and reflect in nErr bit)
3. nWar bit is active low. (Combine all the Warning Status and reflect in nWar bit)

#### BiSS C Command list

Command	Register
8-bit Temperature Readout	Read address 0x75
42-bit Position Zero Reset	Write address 0x4A with data 0x03

#### Register Communication and Assignment

Please refer to BiSS C Interface Protocol Description Rev C6 document for detail information.

[https://www.ichaus.de/upload/pdf/BiSS\\_C\\_protocol\\_C6en.pdf](https://www.ichaus.de/upload/pdf/BiSS_C_protocol_C6en.pdf)

3.3 RS-485 Half-Duplex Specifications

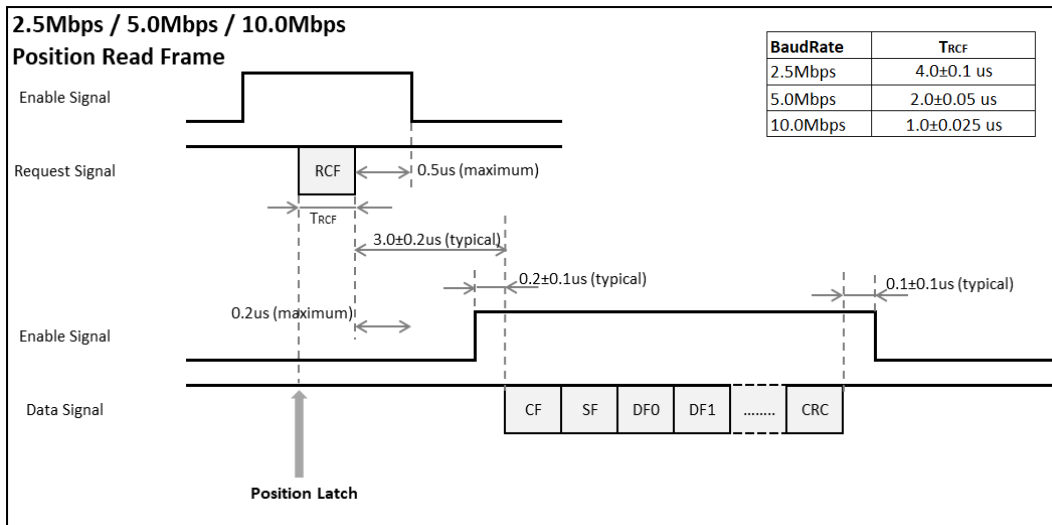
Table 13. RS-485 half Duplex interface

Interface	Circuit	Remark
RS-485 Serial Data (DAT)	Receiver (P/N: ISL3283E)	
RS-485 Serial Data (DAT)	Transmitter (P/N: ISL3295E)	

Table 14. RS-485 Half-Duplex Timing Characteristic

Parameter	Condition	Min	Typ.	Max	Units	Remark
Communication Baud Rate	-	-	-	10	MHz	2.5, 5.0, 10.0MHz
Frame length	-	-	10	-	Bit/Frame	
Jitter	-	-	-	100	ns	

Position Read Frame



EEPROM Read/Write Frame

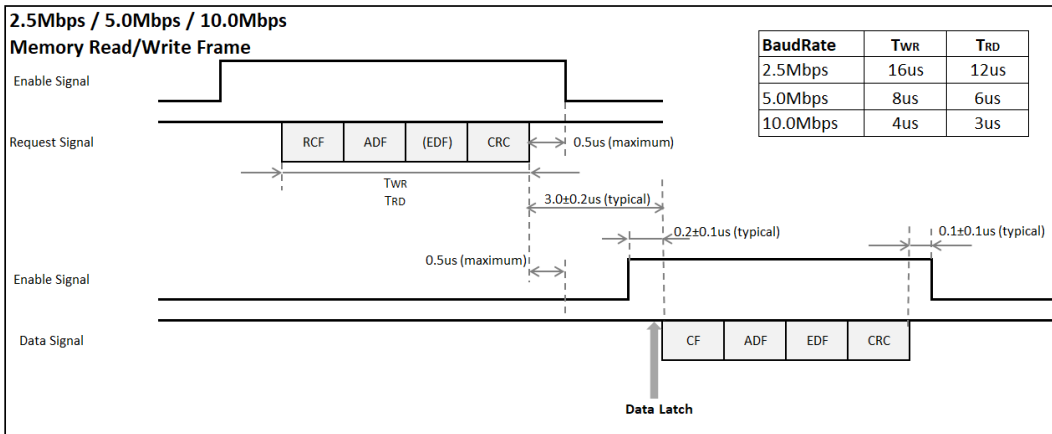


Figure 3. Timing Characteristics of Enable, Request and Data Signals

Register Communication and Assignment

Please refer to N33MA-42M software specification document for details information.

N33 Series Datasheet(Preliminary)

**Table 15. Connector Output Assignment**

Pin No	SSI	BiSS C	RS485 half-duplex
1	GND	GND	GND
2	VDD	VDD	VDD
3	SCLK-	MA-	NC
4	SCLK+	MA+	NC
5	DAT-	SLO-	DATA-
6	DAT+	SLO+	DATA+
7	SPI CLK	NC <sup>(1)</sup>	NC <sup>(1)</sup>
8	SPI DO	NC <sup>(1)</sup>	NC <sup>(1)</sup>
9	SPI DIN	NC <sup>(1)</sup>	NC <sup>(1)</sup>
10	GND	GND	GND

Note (1) : Do not connect during operation

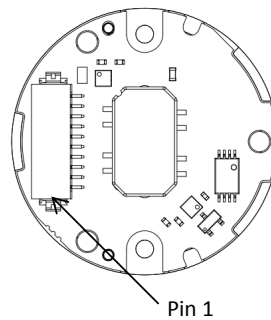


Figure 4. Pin 1 location viewed from encoder top

\*Recommended mating connector:

Hirose Part No: DF13-10S-1.25C (CL No.536-0006-8)

Hirose (Terminal Pin for Wire 26~30AWG): DF13-2630SCF (CL No.536-0300-5)

N33 Series Datasheet(Preliminary)

#### 4. Mechanical Dimensions

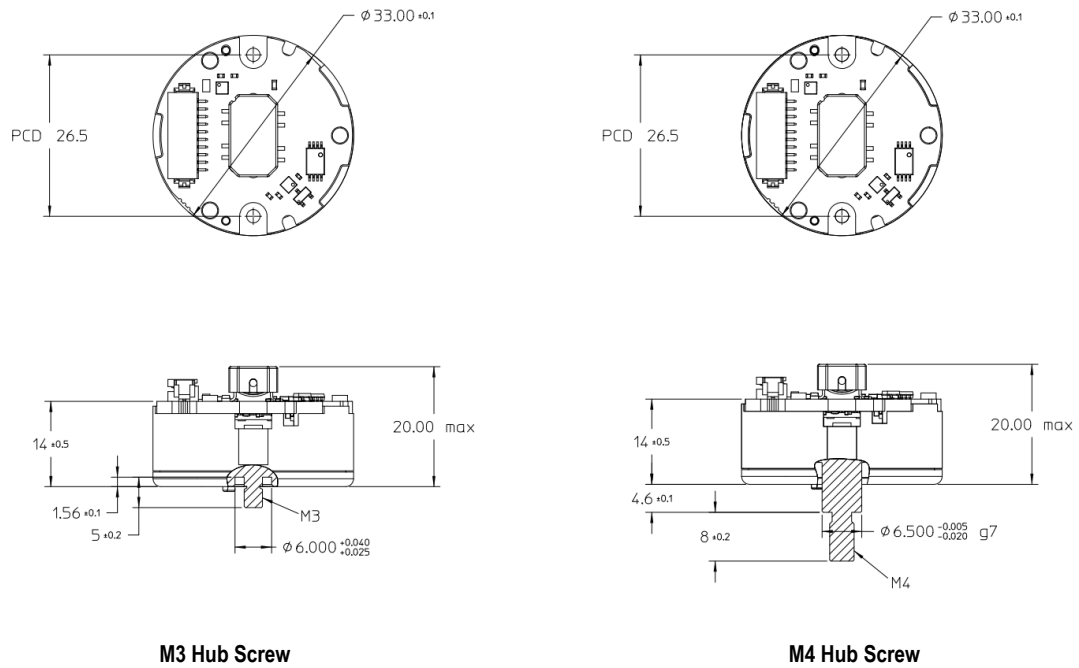


Figure 5. Package dimensions

Note:

1. Dimensions are in millimeters
2. Unless otherwise specified, all tolerances are within  $\pm 0.5$  mm
3. DO NOT USE FERRO-MAGNETIC SHAFT FOR THE MOTOR



N33 Series Datasheet(Preliminary)

## 5. Magnetic Shield Design Guidelines

In order to eliminate or minimize the influence of external magnetic field interference on encoder operation, use of shielding is mandatory. A recommended design of shielding made of 1.2mm mild steel (SPCC) is given in Figure 6.

Shield Requirement  
 Minimum Thickness: 1.2mm  
 Material: Ferromagnetic

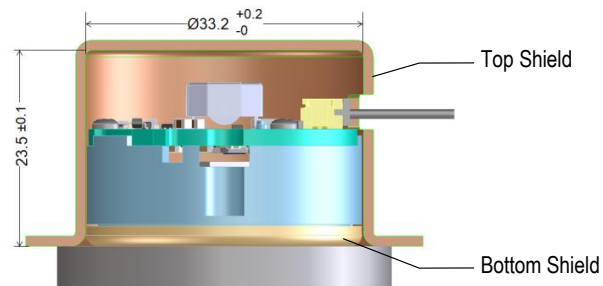


Figure 6. Recommended Magnetic Shield Design

Note:

1. External magnetic interference varies by the application and operating environment.
2. Proper study of external magnetic field and appropriate shield design is needed.
3. Consult factory for technical assistance.

Headquarter Switzerland:  
Angst+Pfister Sensors and Power AG

Thurgauerstrasse 66  
CH-8050 Zurich  
Phone +41 44 877 35 00  
sensorsandpower@angst-pfister.com

Office Germany:  
Angst+Pfister Sensors and Power  
Deutschland GmbH  
Edisonstraße 16  
D-85716 Unterschleißheim  
Phone +49 89 374 288 87 0  
sensorsandpower.de@angst-pfister.com



## We are here for you. Addresses and Contacts.

### Sales Germany & Austria

Geometrical sensors  
Other products

Kurt Stritzelberger  
Phone +49 89 374 288 87 22  
kurt.stritzelberger@angst-pfister.com

Pressure sensors  
Other products

Gerhard Vetter  
Phone +49 89 374 288 87 26  
gerhard.vetter@angst-pfister.com

Gas sensors and modules

Peter Felder  
Phone +41 44 877 35 05  
peter.felder@angst-pfister.com

### Sales Switzerland & Liechtenstein

Postcode 3000 – 9999

Basil Frei  
Phone +41 44 877 35 18  
basil.frei@angst-pfister.com

Postcode 1000 – 2999

Christian Mohrenstecher  
Phone +41 76 444 57 93  
christian.mohrenstecher@angst-pfister.com

### Sales International Key Accounts

Peter Felder  
Phone +41 44 877 35 05  
peter.felder@angst-pfister.com

### Sales Other Countries / Product Management

Pressure Sensors  
Load Cells

Philipp Kistler  
Phone +41 44 877 35 03  
philipp.kistler@angst-pfister.com

Gas sensors  
Gas sensor modules

Dr. Thomas Clausen  
Phone +49 89 374 288 87 24  
thomas.clausen@angst-pfister.com

Flow / Level / Medical products

Dr. Adriano Pittarelli  
Phone +49 89 374 288 87 67  
adriano.pittarelli@angst-pfister.com

Power supplies

Sebastiano Leggio  
Phone +41 44 877 35 06  
sebastiano.leggio@angst-pfister.com

Linear position sensors  
Angle sensors

Eric Letsch  
Phone +41 44 877 35 14  
eric.letsch@angst-pfister.com

Accelerometers  
Sensor elements

Christoph Kleye  
Phone +49 89 374 288 87 61  
christoph.kleye@angst-pfister.com

Drive technology  
CH Postcode 5000 – 9999 / DE

Roman Homa  
Phone +41 76 444 00 86  
roman.homa@angst-pfister.com

Drive technology  
CH Postcode 1000 – 4999 / AT / IT / FR

Christian Mohrenstecher  
Phone +41 76 444 57 93  
christian.mohrenstecher@angst-pfister.com

Harald Thomas  
Phone +49 89 374 288 87 23  
harald.thomas@angst-pfister.com