

ETMR MAGNETIC INCREMENTAL ENCODER



MAIN FEATURES

It is a no-contact encoder with through hollow shaft up to 35 mm. The compact size (only 11 mm of axial thickness), the high IP grade and resistance to vibrations make this product an excellent solutions for heavy duty applications.

- Up to 4096 ppr
- Line driver / push pull output
- Fixing with Star-ring
- 8000 rpm max
- IP 67 protection degree
- Working temperature: -20° ... +85°C



MAGNETIC INCREMENTAL ENCODERS

ORDERING CODE

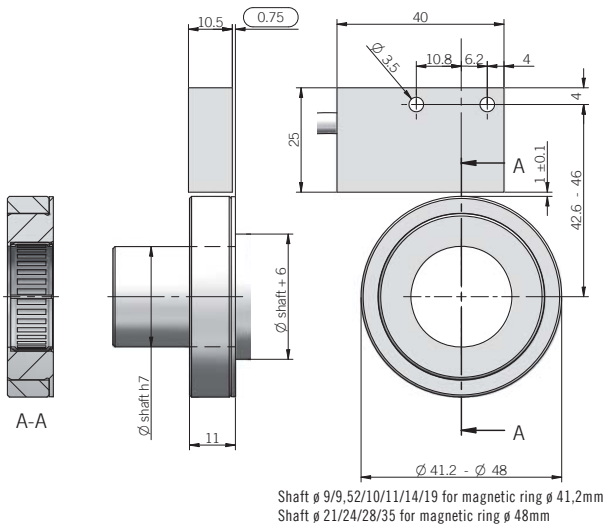
ETM R 4096 S 5 P 9 S 8 PR . XXX

SERIES magneto incremental encoder ETM	VARIANTE XXX custom version
TYPE standard R	OUTPUT TYPE PR radial cable output (standard length 1.5 m)
RESOLUTION (only powers of 2) ppr from 64 to 4096	MAX ROTATION SPEED 8 8000 rpm
ZERP PULSE without zero pulse S	ENCLOSURE RATING S IP 67
POWER SUPPLY 5 V DC 5 8 ... 24 V DC 8/24	BORE DIAMETER 9 mm 9.52 mm 10 mm 11 mm 14 mm 19 mm 21 mm 24 mm 28 mm 35 mm
ELECTRONIC INTERFACE push-pull P line driver L	<i>please directly contact our offices for availability</i>

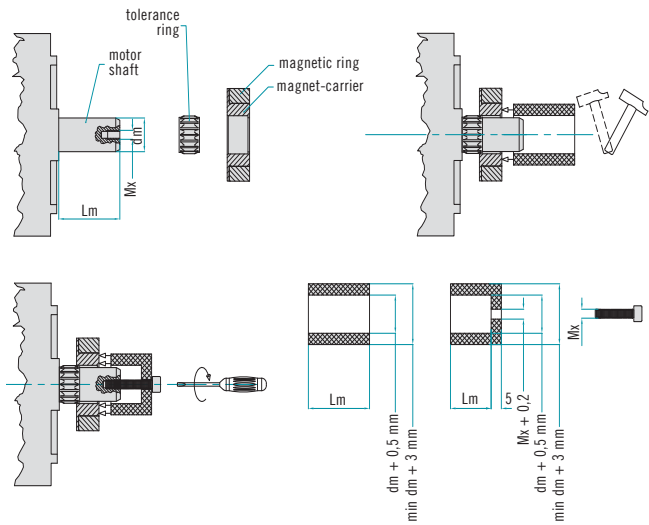
ETMR

120308

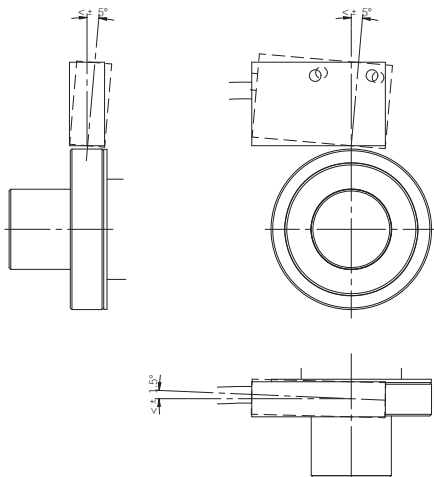
ETMR



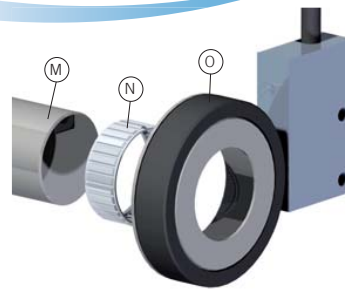
Magnet mounting precautions



Mechanical tolerances



How to mount it



Don't hit the magnetic ring with hard objects to avert breaking or damage!
 Keep the magnetic ring away from magnetic fields to prevent distortion of magnetic pattern!

- Slip the tolerance ring (N) on to the motor shaft (M).
- Then slip the magnet (O) on to the tolerance ring till the stop, pressing lightly only on the steel surface of the magnet-carrier.

Electrical specifications

Resolution	from 64 to 4096 ppr (only powers of 2)
Power supply	5 V DC 8 ... 24 V DC
Current consumption without load	40 mA max
Max load current	20 mA per channel
Electronic interface	line driver push-pull
Max output frequency	350 kHz
Linearity error	0,25° max
Electromagnetic compatibility	IEC 61000-6-2 IEC 61000-6-4

Mechanical specifications

Bore diameter	9 / 9.52 / 10 / 11 / 14 / 19 / 21 / 24 / 28 / 35 mm
Enclosure rating	IP 67
Max rotation speed	8000 rpm
Shock	50 G, 11 ms (IEC 60068-2-27)
Vibration	10 G, 10 ... 2000 Hz (IEC 60068-2-6)
Magnet-carrier material	stainless steel UNI X10CrNiS1809
Mounting tolerances	axial: \pm 1 mm radial: \pm 0,1 mm
Operating temperature	-20° ... +85 °C
Storage temperature	-25° ... +90 °C
Weight	200 g

MAGNETIC INCREMENTAL ENCODERS

ETMR



Headquarter Switzerland:
Angst+Pfister Sensors and Power AG

Thurgauerstrasse 66
CH-8050 Zurich
Phone +41 44 877 35 00
sensorsandpower@angst-pfister.com

Office Germany:
Angst+Pfister Sensors and Power
Deutschland GmbH
Edisonstraße 16
D-85716 Unterschleißheim
Phone +49 89 374 288 87 0
sensorsandpower.de@angst-pfister.com



We are here for you. Addresses and Contacts.

Sales Germany & Austria

Geometrical sensors
Other products

Kurt Stritzelberger
Phone +49 89 374 288 87 22
kurt.stritzelberger@angst-pfister.com

Pressure sensors
Other products

Gerhard Vetter
Phone +49 89 374 288 87 26
gerhard.vetter@angst-pfister.com

Gas sensors and modules

Peter Felder
Phone +41 44 877 35 05
peter.felder@angst-pfister.com

Sales Switzerland & Liechtenstein

Postcode 3000 – 9999

Basil Frei
Phone +41 44 877 35 18
basil.frei@angst-pfister.com

Postcode 1000 – 2999

Christian Mohrenstecher
Phone +41 76 444 57 93
christian.mohrenstecher@angst-pfister.com

Sales International Key Accounts

Peter Felder
Phone +41 44 877 35 05
peter.felder@angst-pfister.com

Sales Other Countries / Product Management

Pressure Sensors
Load Cells

Philipp Kistler
Phone +41 44 877 35 03
philipp.kistler@angst-pfister.com

Gas sensors
Gas sensor modules

Dr. Thomas Clausen
Phone +49 89 374 288 87 24
thomas.clausen@angst-pfister.com

Flow / Level / Medical products

Dr. Adriano Pittarelli
Phone +49 89 374 288 87 67
adriano.pittarelli@angst-pfister.com

Power supplies

Sebastiano Leggio
Phone +41 44 877 35 06
sebastiano.leggio@angst-pfister.com

Linear position sensors
Angle sensors

Eric Letsch
Phone +41 44 877 35 14
eric.letsch@angst-pfister.com

Accelerometers
Sensor elements

Christoph Kleye
Phone +49 89 374 288 87 61
christoph.kleye@angst-pfister.com

Drive technology
CH Postcode 5000 – 9999 / DE

Roman Homa
Phone +41 76 444 00 86
roman.homa@angst-pfister.com

Drive technology
CH Postcode 1000 – 4999 / AT / IT / FR

Christian Mohrenstecher
Phone +41 76 444 57 93
christian.mohrenstecher@angst-pfister.com

Harald Thomas
Phone +49 89 374 288 87 23
harald.thomas@angst-pfister.com