



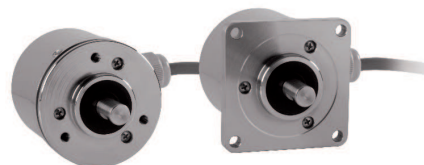
## EL - ER 63 AX / DX

### STAINLESS STEEL SOLID SHAFT INCREMENTAL ENCODER

#### MAIN FEATURES

Thanks to the stainless steel enclosure, this encoder is suitable for food and beverage machinery, cranes and winches for ships, offshore applications, washing systems and for all those environments where high corrosion resistance is required.

- 3 channel encoder (A / B / Z) up to 24000 ppr
- Power supply up to +28 VDC with several electronic interfaces available
- Up to 500 kHz output frequency
- Solid shaft diameter up to 10 mm
- Mounting by clamping or centering 2,5" square flange



#### ORDERING CODE

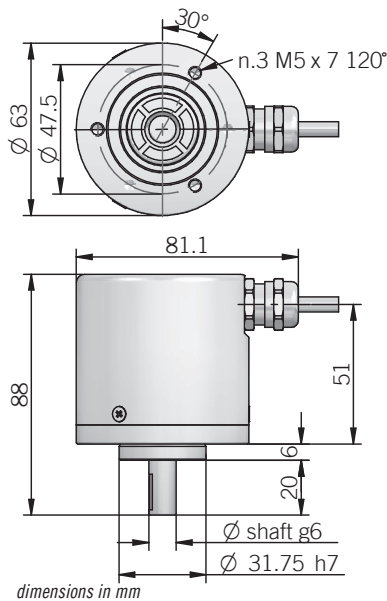
**ER 63DX 500 S 5/28 N 8 S 3 PR .XXX**

<b>SERIES</b>												
incremental encoder series <b>EL</b>												
incremental encoder series <b>ER</b>												
<b>MODEL</b>												
clamping flange $\varnothing$ 31,75 mm <b>63AX</b>												
centering square flange $\varnothing$ 31,75 mm <b>63DX</b>												
<b>RESOLUTION</b>												
ppr from 1 to 24000												
see table for pulses availability												
<b>ZERO PULSE</b>												
without zero pulse <b>S</b>												
with zero pulse <b>Z</b>												
<b>POWER SUPPLY</b>												
(with L electronic interface) 5 V DC <b>5</b>												
(with L or PC electronic interface) 8 ... 24 V DC <b>8/24</b>												
5 ... 28 V DC <b>5/28</b>												
<b>ELECTRONIC INTERFACE</b>												
NPN <b>N</b>												
NPN open collector <b>C</b>												
push-pull <b>P</b>												
push-pull protected (AEC-7272) <b>PC</b>												
line driver <b>L</b>												
power supply 5/28V - output RS-422 <b>RS</b>												
<b>SHAFT DIAMETER</b>												
9,52 (3/8") mm <b>9</b>												
mm <b>10</b>												
<b>ENCLOSURE RATING</b>												
IP 66 <b>S</b>												
<b>MAX ROTATION SPEED</b>												
3000 rpm <b>3</b>												
<b>OUTPUT TYPE</b>												
radial cable (standard length 1,5 m) <b>P</b>												
<b>VARIANT</b>												
custom version <b>XXX</b>												



## OPTICAL SOLID SHAFT INCREMENTAL ENCODERS | EL - ER 63 AX / DX

## EL - ER 63 AX



## ELECTRICAL SPECIFICATIONS

<b>Resolution</b>	from 1 to 24000 ppr
<b>Power supply</b>	5 = 4,5 ... 5,5 V DC 5/28 = 4,75 ... 29,4 V DC 8/24 = 7,6 ... 25,2 V DC (reverse polarity protection)
<b>Power draw without load</b>	800 mW
<b>Max load current</b>	N / C / P / PC = 50 mA / channel L / RS = 20 mA / channel
<b>Output type*</b>	NPN / NPN open collector / push-pull / line driver
<b>Max output frequency</b>	250 kHz up to 6000 ppr 500 kHz from 7200 ppr
<b>Counting direction</b>	A leads B clockwise (shaft view)
<b>Electromagnetic compatibility</b>	IEC 61000-6-2 IEC 61000-6-4

\*output levels according to power supply, for further details please see under Technical basics section

## EL SERIES RESOLUTIONS

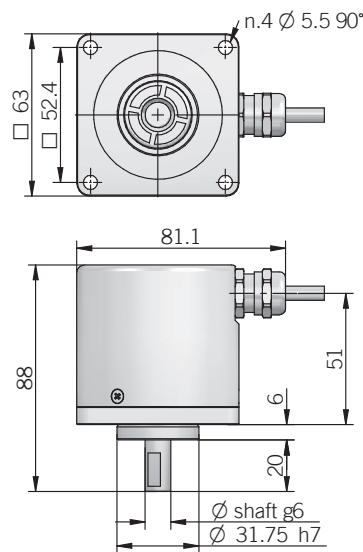
1 - 2 - 4 - 5 - 10 - 15 - 16 - 20 - 25 - 30 - 32 - 40 - 50 - 60 - 70 - 80 - 90 - 160 - 180 - 350 - 450 - 660 - 700

## ER SERIES RESOLUTIONS

100 - 120 - 128 - 150 - 200 - 240 - 250 - 256 - 300 - **360** - 400 - 480 - **500** - **512** - **600** - 625 - **720** - 750 - 800 - 900 - **1000** - **1024** - 1200 - 1250 - 1440 - 1500 - 1600 - 1800 - **2000** - **2048** - **2500** - 3000 - **3600** - 4000 - 4096 - **5000** - 6000 - **7200** - 8000 - 8192 - 9000 - **10000** - 10240 - 12000 - **14400** - 16000 - 16384 - 18000 - **20000** - 20480 - 24000

please directly contact our offices for other pulses, preferred resolutions in bold

## EL - ER 63 DX



## MECHANICAL SPECIFICATIONS

<b>Shaft diameter</b>	ø 9,52 (3/8") / 10 mm
<b>Enclosure rating</b>	S = IP 66 (IEC 60529)
<b>Max rotation speed</b>	EL 3000 rpm / 60° C ER 3000 rpm / 70° C - 2000 rpm / 85° C
<b>Max shaft load</b>	200 N axial / radial
<b>Shock</b>	50 G, 11 ms (IEC 60068-2-27)
<b>Vibration</b>	10 G, 10 ... 2000 Hz (IEC 60068-2-6)
<b>Moment of inertia</b>	1,5 x 10 <sup>-6</sup> kgm <sup>2</sup>
<b>Starting torque (at +20°C / +68°F)</b>	< 0,06 Nm
<b>Body material</b>	1.4305 / AISI 303 stainless steel
<b>Shaft material</b>	1.4305 / AISI 303 stainless steel
<b>Housing material</b>	1.4305 / AISI 303 stainless steel
<b>Bearings</b>	2 ball bearings
<b>Bearings life</b>	10 <sup>9</sup> revolutions
<b>Operating temperature</b>	-10° ... +60°C (+14° ... +140°F) EL series -25° ... +85°C (-13° ... +185°F) ER series
<b>Storage temperature</b>	-25° ... +70°C (-13° ... +158°F)
<b>Weight</b>	650 g (22,92 oz)

## CONNECTIONS

Function	Cable output N / C / P / PC	Cable output Line driver
+V DC	red	red
0 V	black	black
Ch. A	green	green
Ch. A-	/	brown
Ch. B	yellow	yellow
Ch. B-	/	orange
Ch. Z	blue	blue
Ch. Z-	/	white
⊥	shield	shield

Headquarter Switzerland:  
Angst+Pfister Sensors and Power AG

Thurgauerstrasse 66  
CH-8050 Zurich  
Phone +41 44 877 35 00  
sensorsandpower@angst-pfister.com

Office Germany:  
Angst+Pfister Sensors and Power  
Deutschland GmbH  
Edisonstraße 16  
D-85716 Unterschleißheim  
Phone +49 89 374 288 87 0  
sensorsandpower.de@angst-pfister.com



## We are here for you. Addresses and Contacts.

### Sales Germany & Austria

Geometrical sensors  
Other products

Kurt Stritzelberger  
Phone +49 89 374 288 87 22  
kurt.stritzelberger@angst-pfister.com

Pressure sensors  
Other products

Gerhard Vetter  
Phone +49 89 374 288 87 26  
gerhard.vetter@angst-pfister.com

Gas sensors and modules

Peter Felder  
Phone +41 44 877 35 05  
peter.felder@angst-pfister.com

### Sales Switzerland & Liechtenstein

Postcode 3000 – 9999

Basil Frei  
Phone +41 44 877 35 18  
basil.frei@angst-pfister.com

Postcode 1000 – 2999

Christian Mohrenstecher  
Phone +41 76 444 57 93  
christian.mohrenstecher@angst-pfister.com

### Sales International Key Accounts

Peter Felder  
Phone +41 44 877 35 05  
peter.felder@angst-pfister.com

### Sales Other Countries / Product Management

Pressure Sensors  
Load Cells

Philipp Kistler  
Phone +41 44 877 35 03  
philipp.kistler@angst-pfister.com

Gas sensors  
Gas sensor modules

Dr. Thomas Clausen  
Phone +49 89 374 288 87 24  
thomas.clausen@angst-pfister.com

Flow / Level / Medical products

Dr. Adriano Pittarelli  
Phone +49 89 374 288 87 67  
adriano.pittarelli@angst-pfister.com

Power supplies

Sebastiano Leggio  
Phone +41 44 877 35 06  
sebastiano.leggio@angst-pfister.com

Linear position sensors  
Angle sensors

Eric Letsch  
Phone +41 44 877 35 14  
eric.letsch@angst-pfister.com

Accelerometers  
Sensor elements

Christoph Kleye  
Phone +49 89 374 288 87 61  
christoph.kleye@angst-pfister.com

Drive technology  
CH Postcode 5000 – 9999 / DE

Roman Homa  
Phone +41 76 444 00 86  
roman.homa@angst-pfister.com

Drive technology  
CH Postcode 1000 – 4999 / AT / IT / FR

Christian Mohrenstecher  
Phone +41 76 444 57 93  
christian.mohrenstecher@angst-pfister.com

Harald Thomas  
Phone +49 89 374 288 87 23  
harald.thomas@angst-pfister.com