



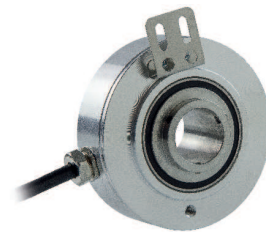
EH - EL 88 P

THROUGH HOLLOW SHAFT INCREMENTAL ENCODER

MAIN FEATURES

∅ 88 mm through hollow shaft encoder designed for middle size asynchronous motors.

- 3 channel encoder (A / B / Z) up to 2500 ppr
- Power supply up to +28 VDC with several electronic interfaces available
- Up to 105 kHz output frequency
- Cable output, connector available on cable end
- Sturdy mechanic
- 25 or 30 mm bore diameter, others on request
- Shaft fixing with grub screws



ORDERING CODE

EH 88P 1024 S 5/28 P 30 S 3 PR .XXX

SERIES
incremental encoder series **EH**
incremental encoder series **EL**

MODEL
through hollow shaft with spring **88P**

RESOLUTION
(mod. EH) max ppr **2500**
(mod. EL) max ppr **2048**
see table for pulses availability

ZERO PULSE
without zero pulse **S**
with zero pulse **Z**

POWER SUPPLY
(with L electronic interface) 5 V DC **5**
(with L or PC electronic interface) 8 ... 24 V DC **8/24**
5 ... 28 V DC **5/28**

ELECTRONIC INTERFACE
NPN **N**
NPN open collector **C**
push-pull **P**
push-pull protected (AEC-7272) **PC**
line driver **L**
(mod. EH) power supply 5/28V - output RS-422 **RS**

SHAFT DIAMETER
mm **25**
mm **30**
please directly contact our offices for other diameters

ENCLOSURE RATING
IP 65 **S**

MAX ROTATION SPEED
3000 rpm **3**

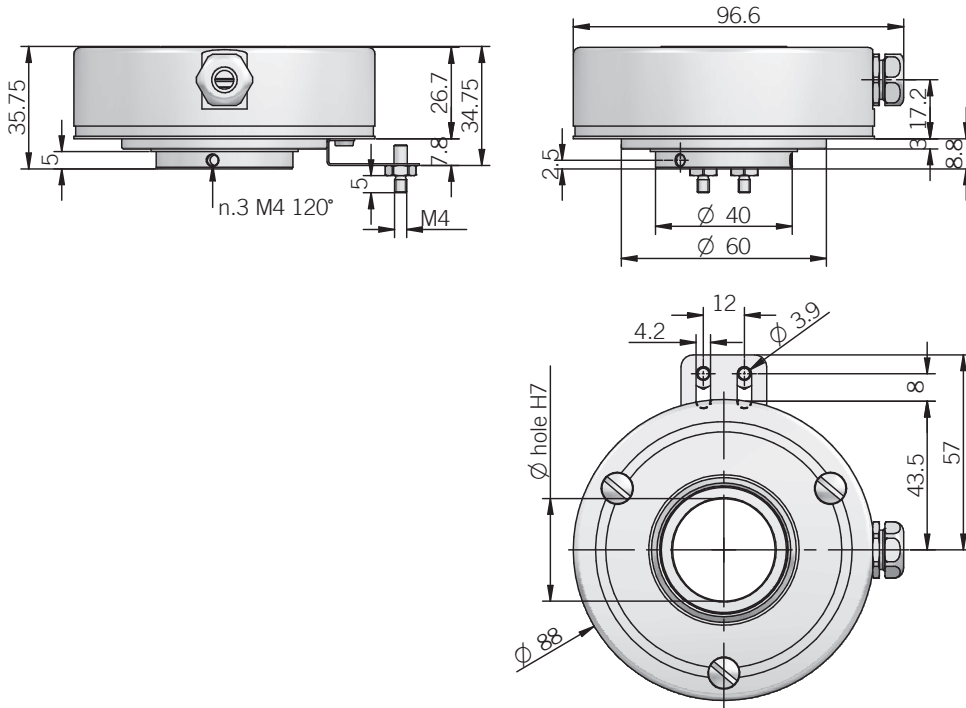
OUTPUT TYPE
radial cable (standard length 0,5 m) **PR**

VARIANT
custom version **XXX**



OPTICAL HOLLOW SHAFT INCREMENTAL ENCODERS | EH - EL 88 P

EH - EL 88 P



dimensions in mm

n°2 anti-rotation pins are included

ELECTRICAL SPECIFICATIONS

Resolution	from 250 to 2500 ppr (EH series) from 2 to 2048 ppr (EL series)
Power supply	5 = 4,5 ... 5,5 V DC 5/28 = 4,75 ... 29,4 V DC 8/24 = 7,6 ... 25,2 V DC (reverse polarity protection)
Current consumption without load	100 mA max
Max load current	N / C / P / PC = 50 mA / channel L / RS = 20 mA / channel
Output type*	NPN / NPN open collector / push-pull / line driver
Max output frequency	105 kHz
Counting direction	A leads B clockwise (shaft view)
Electromagnetic compatibility	IEC 61000-6-2 IEC 61000-6-4

*output levels according to power supply, for further details please see under Technical basics section

CONNECTIONS

Function	Cable output N / C / P / PC	Cable output Line driver
+V DC	red	red
0 V	black	black
Ch. A	green	green
Ch. A-	/	brown
Ch. B	yellow	yellow
Ch. B-	/	orange
Ch. Z	blue	blue
Ch. Z-	/	white
⊕	shield	shield

MECHANICAL SPECIFICATIONS

Shaft diameter	∅ 25 / 30 mm
Enclosure rating	IP 65 (IEC 60529)
Max rotation speed	3000 rpm
Shock	50 G, 11 ms (IEC 60068-2-27)
Vibration	20 G, 10 ... 2000 Hz (IEC 60068-2-6)
Moment of inertia	45 x 10 ⁻⁶ kgm ²
Starting torque (at +20°C / +68°F)	< 0,1 Nm
Body material	EN-AW 2011 aluminum
Shaft material	1.4305 / AISI 303 stainless steel
Housing material	EN-AW 2011 aluminum
Bearings	2 ball bearings
Bearings life	10 ⁹ revolutions
Operating temperature	-10° ... +70°C (+14° ... +158°F)
Storage temperature	-25° ... +85°C (-13° ... +185°F)
Fixing torque for grub screws	max 0,75 Nm
Weight	350 g (12,35 oz)

EH SERIES RESOLUTIONS

250 - 256 - 500 - **512** - 700 - 720 - **1000** - **1024** - 1440 - 2500

EL SERIES RESOLUTIONS

2 - 5 - 90 - 100 - 200 - **360** - 400 - 600 - 900 - **2000** - 2048

please directly contact our offices for other pulses, preferred resolutions in bold



© Copyright 2016 Eltra S.p.a. Unipersonale. All rights reserved. All informations in this catalog are subject to change without notice. Eltra takes no responsibility for typographic errors. For the terms of sales please check the website. REV. 160607

74

30 1985 - 2015
eltra@eltra.it | www.eltra.it

Headquarter Switzerland:
Angst+Pfister Sensors and Power AG

Thurgauerstrasse 66
CH-8050 Zurich
Phone +41 44 877 35 00
sensorsandpower@angst-pfister.com

Office Germany:
Angst+Pfister Sensors and Power
Deutschland GmbH
Edisonstraße 16
D-85716 Unterschleißheim
Phone +49 89 374 288 87 0
sensorsandpower.de@angst-pfister.com



We are here for you. Addresses and Contacts.

Sales Germany & Austria

Geometrical sensors
Other products

Kurt Stritzelberger
Phone +49 89 374 288 87 22
kurt.stritzelberger@angst-pfister.com

Pressure sensors
Other products

Gerhard Vetter
Phone +49 89 374 288 87 26
gerhard.vetter@angst-pfister.com

Gas sensors and modules

Peter Felder
Phone +41 44 877 35 05
peter.felder@angst-pfister.com

Sales Switzerland & Liechtenstein

Postcode 3000 – 9999

Basil Frei
Phone +41 44 877 35 18
basil.frei@angst-pfister.com

Postcode 1000 – 2999

Christian Mohrenstecher
Phone +41 76 444 57 93
christian.mohrenstecher@angst-pfister.com

Sales International Key Accounts

Peter Felder
Phone +41 44 877 35 05
peter.felder@angst-pfister.com

Sales Other Countries / Product Management

Pressure Sensors
Load Cells

Philipp Kistler
Phone +41 44 877 35 03
philipp.kistler@angst-pfister.com

Gas sensors
Gas sensor modules

Dr. Thomas Clausen
Phone +49 89 374 288 87 24
thomas.clausen@angst-pfister.com

Flow / Level / Medical products

Dr. Adriano Pittarelli
Phone +49 89 374 288 87 67
adriano.pittarelli@angst-pfister.com

Power supplies

Sebastiano Leggio
Phone +41 44 877 35 06
sebastiano.leggio@angst-pfister.com

Linear position sensors
Angle sensors

Eric Letsch
Phone +41 44 877 35 14
eric.letsch@angst-pfister.com

Accelerometers
Sensor elements

Christoph Kleye
Phone +49 89 374 288 87 61
christoph.kleye@angst-pfister.com

Drive technology
CH Postcode 5000 – 9999 / DE

Roman Homa
Phone +41 76 444 00 86
roman.homa@angst-pfister.com

Drive technology
CH Postcode 1000 – 4999 / AT / IT / FR

Christian Mohrenstecher
Phone +41 76 444 57 93
christian.mohrenstecher@angst-pfister.com

Harald Thomas
Phone +49 89 374 288 87 23
harald.thomas@angst-pfister.com