

EH 80 PFA / PFP

INCREMENTAL ENCODER MOTOR SERIES



MAIN FEATURES

Sturdy, encoder suitable for heavy duty applications.

- Compact size
- Bidirectional signal with zero
- Up to 1440 ppr
- Line driver output
- 3000 rpm max
- Working temperature: -20° ... +85 °C



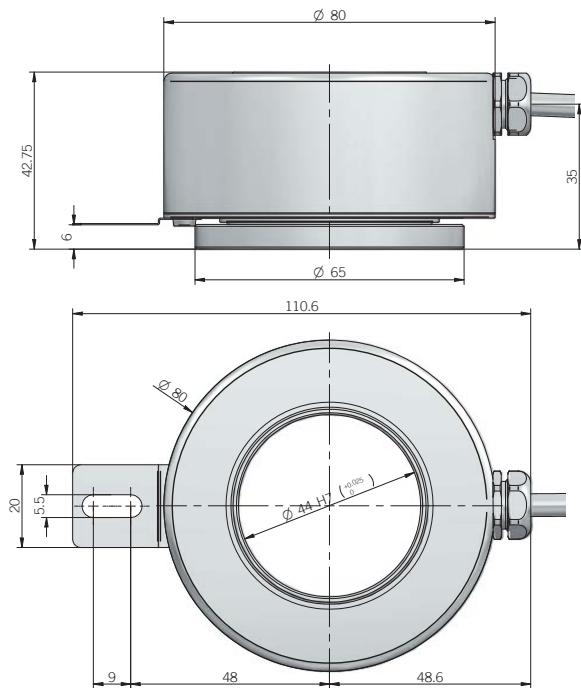
HOLLOW SHAFT INCREMENTAL ENCODERS

ORDERING CODE

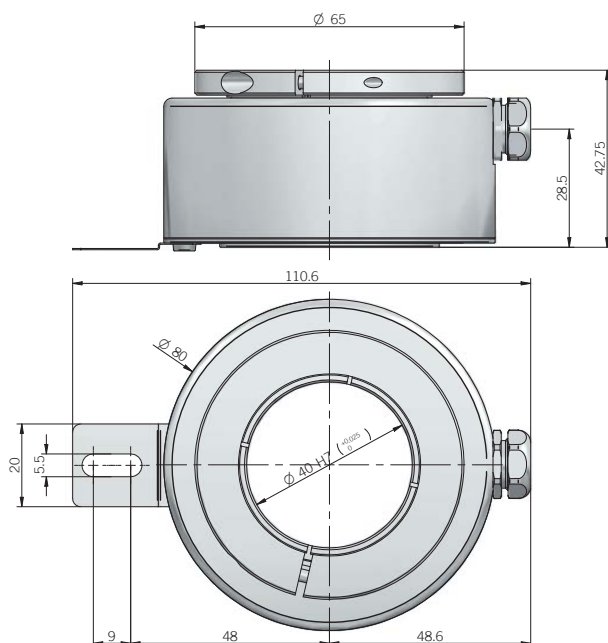
EH	80	PF	P	1024	Z	5	L	30	X	3	PR	. XXX
SERIES incremental encoder series EH	SIZE mm 80	FIXING TYPE through hollow shaft and fixing with spring PF	TYPE front fixing A rear fixing P	RESOLUTION ppr 720 / 1000 / 1024 / 1440 <i>please directly contact our offices for pulses availability</i>	ZERO PULSE without zero pulse S with zero pulse Z	POWER SUPPLY 5 ... 28 V DC 5/28 5 V DC 5 8 ... 24 V DC 8/24 <i>line driver available only with 5 V DC or 8 ... 24 V DC power supply</i>	VARIANT XXX custom version	OUTPUT TYPE PR cable output radial (standard length 0.5 m)	MAX ROTATION SPEED 3 3000 rpm	ENCLOSURE RATING X IP 64	HOLLOW SHAFT 30 mm 35 mm 40 mm 44 mm	ELECTRONIC INTERFACE P push pull L line driver

EH 80 PFA / PFP

EH 80 PFA



EH 80 PFP



Mechanical specifications

Bore diameter	∅ 30 / 35 / 40 / 44 mm
Enclosure rating	IP 64 (IEC 60529)
Max rotation speed	3000 rpm
Shock	50 G, 11 ms (IEC 60068-2-27)
Vibrations	10 G, 10÷2000 Hz (IEC 60068-2-6)
Body material	aluminum UNI 9002/5
Shaft material	stainless steel UNI X10CrNiS1809 (AISI 303)
Housing material	aluminum UNI 9002/5
Bearings	2 ball bearings
Bearings life	10 ⁹ revolutions
Operating temperature	-20° ... +85 °C
Storage temperature	-20° ... +85 °C
Weight	800 g

Electrical specifications

Resolution	720 / 1000 / 1024 / 1440 ppr
Power supply	5 ... 28 V DC ± 5% 8 ... 24 V DC ± 5% 5 V DC ± 10% (line driver available only with 5 V DC or 8 ... 24 V DC)
Current consumption without load	100 mA max
Max load current	20 mA for channel
Electronic interface for incremental signals	push-pull line driver
Counting direction	A leads B clockwise (shaft view)
Max output frequency	100 kHz
Electromagnetic compatibility	IEC 61000-6-2 IEC 61000-6-4

Connections and standard colours

Function	Wire colours
+V DC	red
0 V	black
Ch. A	green
Ch. A-	brown
Ch. B	yellow
Ch. B-	orange
Ch. Z	blue
Ch. Z-	white
⊥	shield

Headquarter Switzerland:
Angst+Pfister Sensors and Power AG

Thurgauerstrasse 66
CH-8050 Zurich
Phone +41 44 877 35 00
sensorsandpower@angst-pfister.com

Office Germany:
Angst+Pfister Sensors and Power
Deutschland GmbH
Edisonstraße 16
D-85716 Unterschleißheim
Phone +49 89 374 288 87 0
sensorsandpower.de@angst-pfister.com



We are here for you. Addresses and Contacts.

Sales Germany & Austria

Geometrical sensors
Other products

Kurt Stritzelberger
Phone +49 89 374 288 87 22
kurt.stritzelberger@angst-pfister.com

Pressure sensors
Other products

Gerhard Vetter
Phone +49 89 374 288 87 26
gerhard.vetter@angst-pfister.com

Gas sensors and modules

Peter Felder
Phone +41 44 877 35 05
peter.felder@angst-pfister.com

Sales Switzerland & Liechtenstein

Postcode 3000 – 9999

Basil Frei
Phone +41 44 877 35 18
basil.frei@angst-pfister.com

Postcode 1000 – 2999

Christian Mohrenstecher
Phone +41 76 444 57 93
christian.mohrenstecher@angst-pfister.com

Sales International Key Accounts

Peter Felder
Phone +41 44 877 35 05
peter.felder@angst-pfister.com

Sales Other Countries / Product Management

Pressure Sensors
Load Cells

Philipp Kistler
Phone +41 44 877 35 03
philipp.kistler@angst-pfister.com

Gas sensors
Gas sensor modules

Dr. Thomas Clausen
Phone +49 89 374 288 87 24
thomas.clausen@angst-pfister.com

Flow / Level / Medical products

Dr. Adriano Pittarelli
Phone +49 89 374 288 87 67
adriano.pittarelli@angst-pfister.com

Power supplies

Sebastiano Leggio
Phone +41 44 877 35 06
sebastiano.leggio@angst-pfister.com

Linear position sensors
Angle sensors

Eric Letsch
Phone +41 44 877 35 14
eric.letsch@angst-pfister.com

Accelerometers
Sensor elements

Christoph Kleye
Phone +49 89 374 288 87 61
christoph.kleye@angst-pfister.com

Drive technology
CH Postcode 5000 – 9999 / DE

Roman Homa
Phone +41 76 444 00 86
roman.homa@angst-pfister.com

Drive technology
CH Postcode 1000 – 4999 / AT / IT / FR

Christian Mohrenstecher
Phone +41 76 444 57 93
christian.mohrenstecher@angst-pfister.com

Harald Thomas
Phone +49 89 374 288 87 23
harald.thomas@angst-pfister.com