



EH 38 A / B / D

SOLID SHAFT INCREMENTAL ENCODER

MAIN FEATURES

Miniaturized \varnothing 38 mm encoder series for application in small devices.
Recommended when a minimal size is required even providing excellent performances.

- 3 channel encoder (A / B / Z) up to 1024 ppr
- Power supply up to +24 VDC with several electronic interfaces available
- Up to 100 kHz output frequency
- Cable output, connectors available on cable end
- Solid shaft diameter up to 6 mm
- Mounting by clamping or centering square flange

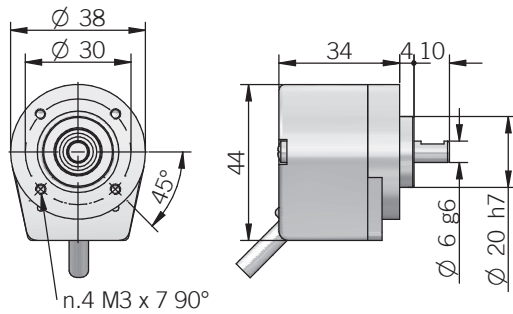


ORDERING CODE

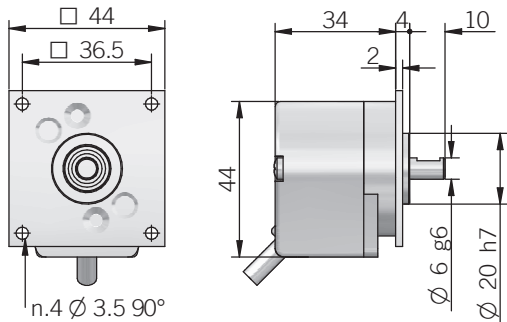
EH	38A	500	S	8/24	P	6	X	3	PR	.XXX
SERIES										
incremental encoder series EH										
MODEL										
clamping flange \varnothing 20 mm 38A										
centering square flange \varnothing 20 mm 38B										
centering square flange \varnothing 17,46 mm 38D										
RESOLUTION										
ppr from 50 to 1024										
see table for pulses availability										
ZERO PULSE										
without zero pulse S										
with zero pulse Z										
POWER SUPPLY										
5 V DC 5										
8 ... 24 V DC 8/24										
ELECTRONIC INTERFACE										
NPN N										
NPN open collector C										
push-pull P										
push-pull protected (AEC-7272) PC										
line driver L										
SHAFT DIAMETER										
mm 6										
ENCLOSURE RATING										
IP 54 X										
MAX ROTATION SPEED										
3000 rpm 3										
OUTPUT TYPE										
radial cable (standard length 0,5 m) PR										
VARIANT										
custom version XXX										



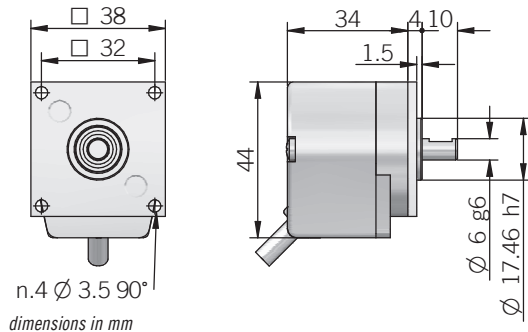
EH 38 A



EH 38 B



EH 38 D



n.4 $\varnothing 3.5$ 90°
dimensions in mm

OPTICAL SOLID SHAFT INCREMENTAL ENCODERS | EH 38 A / B / D

ELECTRICAL SPECIFICATIONS

Resolution	from 50 to 1024 ppr
Power supply	5 = 4,5 ... 5,5 V DC 8/24 = 7,6 ... 25,2 V DC (reverse polarity protection only with PC electronic)
Current consumption without load	100 mA max
Max load current	N / C / P / PC = 50 mA / channel L = 20 mA / channel
Output type*	NPN / NPN open collector / push-pull / line driver
Max output frequency	100 kHz
Counting direction	A leads B clockwise (shaft view)
Electromagnetic compatibility	IEC 61000-6-1 IEC 61000-6-4

*output levels according to power supply, for further details please see under Technical basic section

MECHANICAL SPECIFICATIONS

Shaft diameter	$\varnothing 6$ mm
Enclosure rating	IP 54 (IEC 60529)
Max rotation speed	3000 rpm
Max shaft load	5 N axial / radial
Shock	50 G, 11 ms (IEC 60068-2-27)
Vibration	10 G, 10 ... 2000 Hz (IEC 60068-2-6)
Moment of inertia	$0,05 \times 10^{-6}$ kgm ²
Starting torque (at +20°C / +68°F)	< 0,01 Nm
Body material	aluminum UNI 5076
Shaft material	1.4305 / AISI 303 stainless steel
Housing material	PA66 glass fiber reinforced
Bearings	2 ball bearings
Bearings life	10 ⁹ revolutions
Operating temperature	-20° ... +70°C (-4° ... +158°F)
Storage temperature	-20° ... +70°C (-4° ... +158°F)
Weight	150 g (5,29 oz)

CONNECTIONS

Function	Cable output N / C / P / PC	Cable output Line driver
+V DC	red	red
0 V	black	black
Ch. A	green	green
Ch. A-	/	brown
Ch. B	yellow	yellow
Ch. B-	/	orange
Ch. Z	blue	blue
Ch. Z-	/	white
⊥	shield	shield

RESOLUTIONS

50* - **100** - **200** - 250 - 256 - 360 - 400 - **500** - **512** - **1000** - 1024

please directly contact our offices for other pulses, preferred resolutions in bold

*available only without zero pulse

Headquarter Switzerland:
Angst+Pfister Sensors and Power AG

Thurgauerstrasse 66
CH-8050 Zurich
Phone +41 44 877 35 00
sensorsandpower@angst-pfister.com

Office Germany:
Angst+Pfister Sensors and Power
Deutschland GmbH
Edisonstraße 16
D-85716 Unterschleißheim
Phone +49 89 374 288 87 0
sensorsandpower.de@angst-pfister.com



We are here for you. Addresses and Contacts.

Sales Germany & Austria

Geometrical sensors
Other products

Kurt Stritzelberger
Phone +49 89 374 288 87 22
kurt.stritzelberger@angst-pfister.com

Pressure sensors
Other products

Gerhard Vetter
Phone +49 89 374 288 87 26
gerhard.vetter@angst-pfister.com

Gas sensors and modules

Peter Felder
Phone +41 44 877 35 05
peter.felder@angst-pfister.com

Sales Switzerland & Liechtenstein

Postcode 3000 – 9999

Basil Frei
Phone +41 44 877 35 18
basil.frei@angst-pfister.com

Postcode 1000 – 2999

Christian Mohrenstecher
Phone +41 76 444 57 93
christian.mohrenstecher@angst-pfister.com

Sales International Key Accounts

Peter Felder
Phone +41 44 877 35 05
peter.felder@angst-pfister.com

Sales Other Countries / Product Management

Pressure Sensors
Load Cells

Philipp Kistler
Phone +41 44 877 35 03
philipp.kistler@angst-pfister.com

Gas sensors
Gas sensor modules

Dr. Thomas Clausen
Phone +49 89 374 288 87 24
thomas.clausen@angst-pfister.com

Flow / Level / Medical products

Dr. Adriano Pittarelli
Phone +49 89 374 288 87 67
adriano.pittarelli@angst-pfister.com

Power supplies

Sebastiano Leggio
Phone +41 44 877 35 06
sebastiano.leggio@angst-pfister.com

Linear position sensors
Angle sensors

Eric Letsch
Phone +41 44 877 35 14
eric.letsch@angst-pfister.com

Accelerometers
Sensor elements

Christoph Kleye
Phone +49 89 374 288 87 61
christoph.kleye@angst-pfister.com

Drive technology
CH Postcode 5000 – 9999 / DE

Roman Homa
Phone +41 76 444 00 86
roman.homa@angst-pfister.com

Drive technology
CH Postcode 1000 – 4999 / AT / IT / FR

Christian Mohrenstecher
Phone +41 76 444 57 93
christian.mohrenstecher@angst-pfister.com

Harald Thomas
Phone +49 89 374 288 87 23
harald.thomas@angst-pfister.com