



AAM 58 B / C PROFINET

SOLID SHAFT MULTITURN ABSOLUTE ENCODER

MAIN FEATURES

Industry standard multiturn absolute encoder for factory automation applications.

- Optical sensor technology (OptoASIC + gears)
- 25 bit total resolution (13 bit single turn + 12 bit multiturn)
- Power supply up to +30 VDC with Profinet IO as electronic interface
- Intelligent status leds
- M12 connectors for fast setup
- Solid shaft diameter up to 10 mm
- Mounting by synchronous or clamping flange
- Operating temperature -40° ... +80°C (-40° ... +176°F)



ORDERING CODE

AAM	58B	12	/	13	B	10/30	PFN	6	X	X	M12R	.162
<p>SERIES absolute multiurn encoder AAM</p> <p>MODEL synchronous flange ø 50 mm 58B clamping flange ø 36 mm 58C</p> <p>MULTITURN RESOLUTION bit 12</p> <p>SINGLETURN RESOLUTION bit 13</p> <p>CODE TYPE binary B</p> <p>POWER SUPPLY 10 ... 30 V DC 10/30</p> <p>ELECTRONIC INTERFACE PROFINET IO PFN</p> <p>SHAFT DIAMETER (mod. 58B) mm 6 (mod. 58C) mm 10</p> <p>ENCLOSURE RATING IP 65 X</p> <p>OPTIONS to be reported X</p> <p>OUTPUT TYPE radial M12 connectors M12R</p> <p>VARIANT without mating connectors 162</p>												



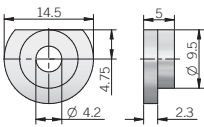
OPTICAL MULTITURN ABSOLUTE ENCODERS | AAM 58 B / C PROFINET

ELECTRICAL SPECIFICATIONS

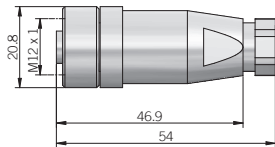
Multiturn resolution	1 ... 12 bit <i>programmabile during commissioning</i>
Singleturn resolution	1 ... 13 bit <i>programmabile during commissioning</i>
Power supply	10 ... 30 V DC (with reverse polarity protection)
Current consumption without load	< 200 mA
Electronic interface	PROFINET IO RT Class 1 / Conformance Class B
Encoder profile	V 4.1 - Application Class 3
Code type	binary
Max bus frequency	100 Mbit/s
Cycle time	≤ 1 ms
Accuracy	± 0,04°
Electromagnetic compatibility	according to 2014/30/EU directive

ACCESSORIES

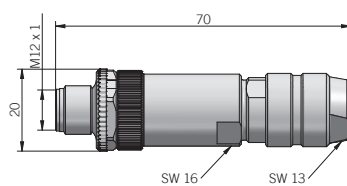
set n.3 fixing clamps for model 58 B
P/N 94080001



M12 female connector for power supply (POWER)
P/N 22030091



M12 male connector for I/O (PORT 1 / 2)
P/N 22030152



MECHANICAL SPECIFICATIONS

Solid shaft diameter	∅ 6 mm (mod. 58B) ∅ 10 mm (mod. 58C)
Enclosure rating	IP 65 (IEC 60529)
Max rotation speed	6000 rpm
Max shaft load	80 N radial / 40 N axial
Starting torque (at +20°C / 68°F)	< 0,05 Nm
Moment of inertia	approx 1,8 x 10 ⁻⁶ kgm ²
Shock	50 G, 11 ms (IEC 60068-2-27)
Vibrations	10 G, 10 ... 2000 Hz (IEC 60068-2-6)
Bearings life	10 ⁹ revolutions
Bearings	n° 2 ball bearings
Shaft material	1.4305 / AISI 303 stainless steel
Body / cover material	EN-AW 2011 aluminium
Housing material	painted aluminium
Operating temperature	-40° ... +80°C (-40° ... +176°F)
Storage temperature	-40° ... +85°C (-40° ... +185°F)
Weight	600 g (21 oz)

CONNECTIONS

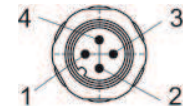
	Pin	Function
PORT 1 Connector	1	Tx D+
	2	Rx D+
	3	Tx D-
	4	Rx D-
POWER connector	1	+Vdc
	2	/
	3	0V
	4	/
PORT 2 Connector	1	Tx D+
	2	Rx D+
	3	Tx D-
	4	Rx D-



PORT 1 / 2 connector
M12 D-coded (4-pin)
(front view)



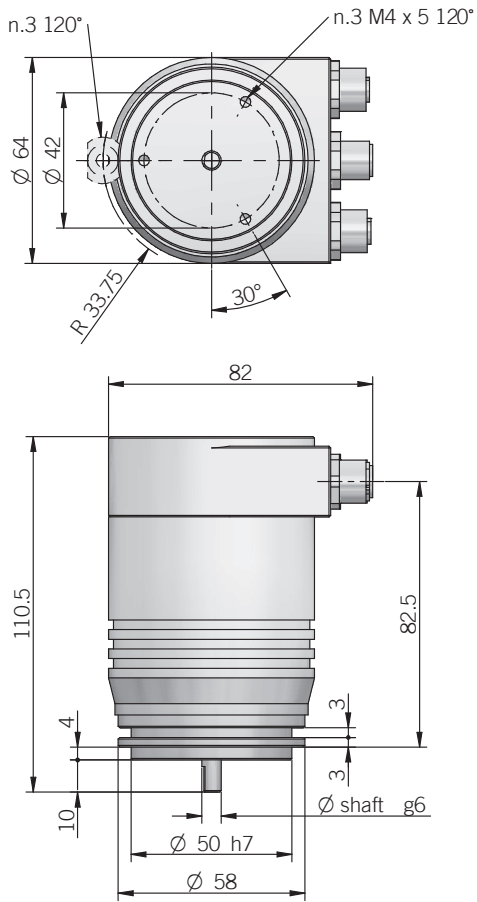
POWER connector
M12 A-coded
(front view)



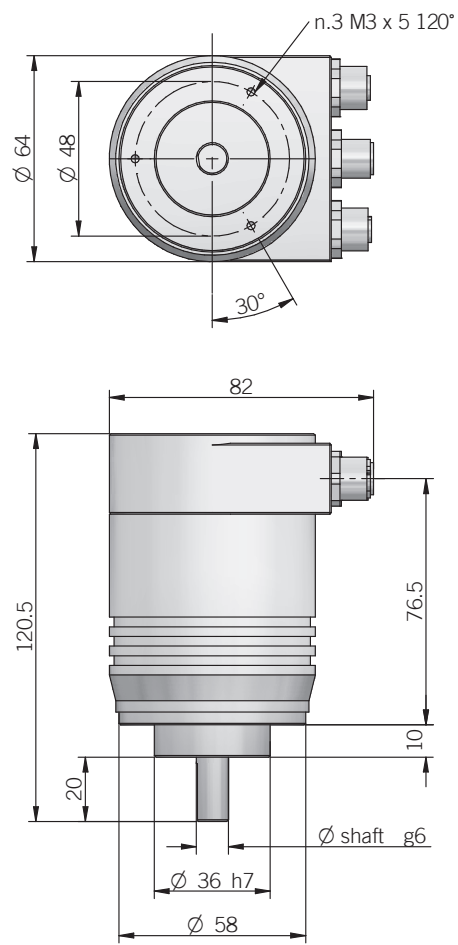
OPTICAL MULTITURN ABSOLUTE ENCODERS | AAM 58 B / C PROFINET

AAM 58 B

fixing clamps not included



AAM 58 C



Headquarter Switzerland:
Angst+Pfister Sensors and Power AG

Thurgauerstrasse 66
CH-8050 Zurich
Phone +41 44 877 35 00
sensorsandpower@angst-pfister.com

Office Germany:
Angst+Pfister Sensors and Power
Deutschland GmbH
Edisonstraße 16
D-85716 Unterschleißheim
Phone +49 89 374 288 87 0
sensorsandpower.de@angst-pfister.com



We are here for you. Addresses and Contacts.

Sales Germany & Austria

Geometrical sensors
Other products

Kurt Stritzelberger
Phone +49 89 374 288 87 22
kurt.stritzelberger@angst-pfister.com

Pressure sensors
Other products

Gerhard Vetter
Phone +49 89 374 288 87 26
gerhard.vetter@angst-pfister.com

Gas sensors and modules

Peter Felder
Phone +41 44 877 35 05
peter.felder@angst-pfister.com

Sales Switzerland & Liechtenstein

Postcode 3000 – 9999

Basil Frei
Phone +41 44 877 35 18
basil.frei@angst-pfister.com

Postcode 1000 – 2999

Christian Mohrenstecher
Phone +41 76 444 57 93
christian.mohrenstecher@angst-pfister.com

Sales International Key Accounts

Peter Felder
Phone +41 44 877 35 05
peter.felder@angst-pfister.com

Sales Other Countries / Product Management

Pressure Sensors
Load Cells

Philipp Kistler
Phone +41 44 877 35 03
philipp.kistler@angst-pfister.com

Gas sensors
Gas sensor modules

Dr. Thomas Clausen
Phone +49 89 374 288 87 24
thomas.clausen@angst-pfister.com

Flow / Level / Medical products

Dr. Adriano Pittarelli
Phone +49 89 374 288 87 67
adriano.pittarelli@angst-pfister.com

Power supplies

Sebastiano Leggio
Phone +41 44 877 35 06
sebastiano.leggio@angst-pfister.com

Linear position sensors
Angle sensors

Eric Letsch
Phone +41 44 877 35 14
eric.letsch@angst-pfister.com

Accelerometers
Sensor elements

Christoph Kleye
Phone +49 89 374 288 87 61
christoph.kleye@angst-pfister.com

Drive technology
CH Postcode 5000 – 9999 / DE

Roman Homa
Phone +41 76 444 00 86
roman.homa@angst-pfister.com

Drive technology
CH Postcode 1000 – 4999 / AT / IT / FR

Christian Mohrenstecher
Phone +41 76 444 57 93
christian.mohrenstecher@angst-pfister.com

Harald Thomas
Phone +49 89 374 288 87 23
harald.thomas@angst-pfister.com