

# SHAFT TYPE

# Small & Short delivery Model

# 38SG Model

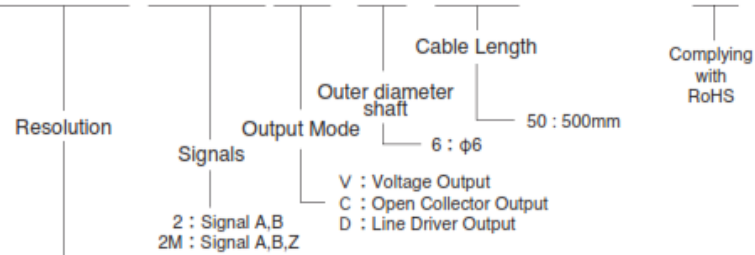


•Compact Sized Encoder with  
OD38mm x L30mm.

## Model

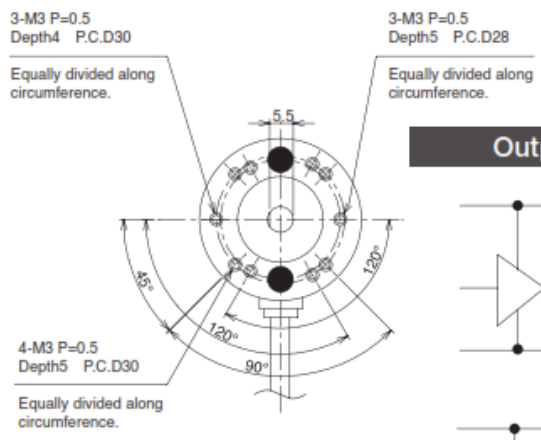
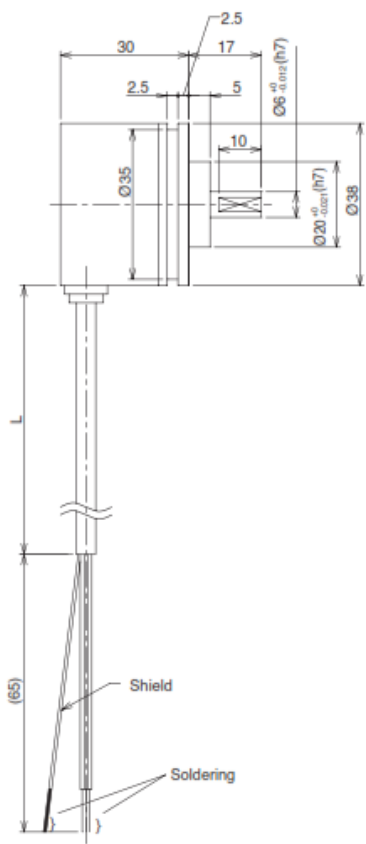


# 38SG- [ ] - [ ] - [ ] -6-50-N 00E

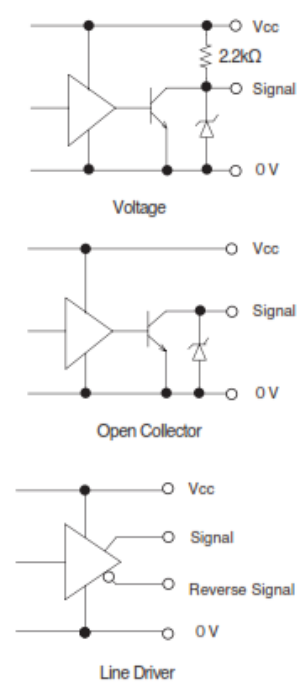


Signal A,B,Z	500	500P/R	1000	1000P/R	1024	1024P/R	1800	1800P/R	2000	2000P/R	2048	2048P/R
Signal A,B	100	100P/R	200	200P/R	300	300P/R	360	360P/R	400	400P/R	600	600P/R

## External Dimension



## Output Circuit



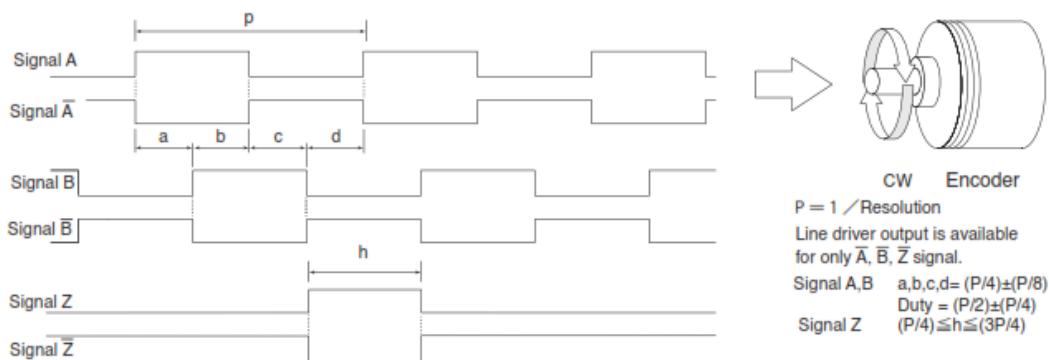
38SG

## Electrical Spec

TYPE		2V 2MV	2C 2MC	2D 2MD
Power Supply(Vcc)		DC 3.35V to 13.2V (Ripple 3% or less (P-P))	DC 3.35V to 34.5V (Ripple 3% or less (P-P))	DC 3.35 to 5.25V (Ripple 3% or Less(P-P))
Current Consumption		400mA Max		
Output Voltage	"H"	Vcc-1V Min	-	2.5V Min
	"L" *1	0.4V Max		0.5V Max
Maximum Sink Current		20mA	35mA	20mA
Maximum Frequency Response		120kHz		
Rise & Fall Time		1µs Max (sink current 10mA / cable length 2m)	1µs Max (load 1kΩ / cable length 2m)	100ns Max (current ±20mA)

\*1) at Maximum Sink Current

## Wave Form



## Electrical Connections

Voltage/Open Collector		Line Driver	
Red	Vcc	Red	Vcc
Black	0 V	Black	0 V
Blue	Sig A	Green	Sig A
White	Sig B	Blue	Sig $\bar{A}$
Yellow	Sig Z	White	Sig B
Shield	N.C	Gray	Sig $\bar{B}$
		Yellow	Sig Z
		Orange	Sig $\bar{Z}$
		Shield	N.C

## Mechanical Spec

Starting Torque		$0.98 \times 10^{-3} \text{ N} \cdot \text{m}$ Max
Shaft Loading	Thrust	19.6N
	Radial	29.4N
Moment of Inertia		$1 \times 10^{-6} \text{ kg} \cdot \text{m}^2$
Maximum Permissible Speed		6000min <sup>-1</sup>

## Environmental Spec

Operating Temperature	-10°C ~ +85°C
Storage Temperature	-30°C ~ +85°C
Humidity	RH 85% Max No Condensation
Vibration	10~55 Hz / 1.5mm X,Y,Z Each 2h
Shock	490m/s <sup>2</sup> , 11ms X, Y, Z Each 3 times
Ingress Protection	IP50

Headquarter Switzerland:  
Angst+Pfister Sensors and Power AG

Thurgauerstrasse 66  
CH-8050 Zurich  
Phone +41 44 877 35 00  
sensorsandpower@angst-pfister.com

Office Germany:  
Angst+Pfister Sensors and Power  
Deutschland GmbH  
Edisonstraße 16  
D-85716 Unterschleißheim  
Phone +49 89 374 288 87 0  
sensorsandpower.de@angst-pfister.com



## We are here for you. Addresses and Contacts.

### Sales Germany & Austria

Geometrical sensors  
Other products

Kurt Stritzelberger  
Phone +49 89 374 288 87 22  
kurt.stritzelberger@angst-pfister.com

Pressure sensors  
Other products

Gerhard Vetter  
Phone +49 89 374 288 87 26  
gerhard.vetter@angst-pfister.com

Gas sensors and modules

Peter Felder  
Phone +41 44 877 35 05  
peter.felder@angst-pfister.com

### Sales Switzerland & Liechtenstein

Postcode 3000 – 9999

Basil Frei  
Phone +41 44 877 35 18  
basil.frei@angst-pfister.com

Postcode 1000 – 2999

Christian Mohrenstecher  
Phone +41 76 444 57 93  
christian.mohrenstecher@angst-pfister.com

### Sales International Key Accounts

Peter Felder  
Phone +41 44 877 35 05  
peter.felder@angst-pfister.com

### Sales Other Countries / Product Management

Pressure Sensors  
Load Cells

Philipp Kistler  
Phone +41 44 877 35 03  
philipp.kistler@angst-pfister.com

Gas sensors  
Gas sensor modules

Dr. Thomas Clausen  
Phone +49 89 374 288 87 24  
thomas.clausen@angst-pfister.com

Flow / Level / Medical products

Dr. Adriano Pittarelli  
Phone +49 89 374 288 87 67  
adriano.pittarelli@angst-pfister.com

Power supplies

Sebastiano Leggio  
Phone +41 44 877 35 06  
sebastiano.leggio@angst-pfister.com

Linear position sensors  
Angle sensors

Eric Letsch  
Phone +41 44 877 35 14  
eric.letsch@angst-pfister.com

Accelerometers  
Sensor elements

Christoph Kleye  
Phone +49 89 374 288 87 61  
christoph.kleye@angst-pfister.com

Drive technology  
CH Postcode 5000 – 9999 / DE

Roman Homa  
Phone +41 76 444 00 86  
roman.homa@angst-pfister.com

Drive technology  
CH Postcode 1000 – 4999 / AT / IT / FR

Christian Mohrenstecher  
Phone +41 76 444 57 93  
christian.mohrenstecher@angst-pfister.com

Harald Thomas  
Phone +49 89 374 288 87 23  
harald.thomas@angst-pfister.com