



Battery less Multi-turn Absolute Encoder

Hollow shaft type Model : 38HA-MS

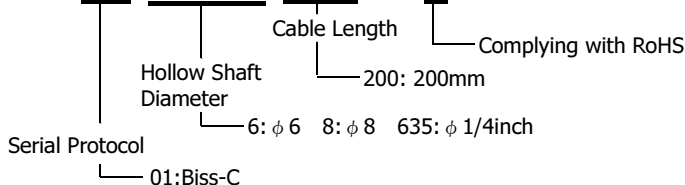
■ **Features**

- 39-bits resolution: 16-bits energy harvesting multi-turn & 23-bits optical single-turn
- Built-in communication protocol (option): BiSS C mode, SSI mode & RS-485 half-duplex
- Overall encoder outer diameter Ø38 mm and maximum height of 40 mm
- Supporting 1/4 inch, 6mm and 8mm diameter of the blind hollow shaft



■ **Model**

38HA-MS01-□□□-200-00E



■ **Specification**

1. Basic specification

General		
Outside diameter	38mm	At housing
Height	40mm	
Bearing	With Bearing	
Shaft	Hollow shaft	
Shaft Diameter	1/4 inch, φ6, φ8	
Measuring Methods	Optical transparent / Absolute	
Electrical		
Single-turn Resolution	23bits (8,388,607 counts)	
Multi-turn Resolution	16bits (65,535 counts)	
Fault Status	8 bits	
CRC	8 bits	
DC Supply Voltage	5.0V ±10%	
Main Supply Current	Typical 115mA	Without load, Ta=+25°C
Electrically Permissible Speed	≤6,000min ⁻¹	
Output Communication	BiSS-C, SSI, RS-485 half duplex	
Output Code	Binary	

38HA-MS Series Datasheet

Mechanical		
System Accuracy	Typical ± 80 Arc-sec	With electrical correction, $T_a = +25^\circ\text{C}$
Mechanical Permissible Speed	$\leq 6,000\text{min}^{-1}$	
Shaft Radial Play	$\leq \pm 0.05$ mm	
Shaft Axial Play	$\leq \pm 0.1$ mm	
Environmental		
Operating Temperature Range	$-20^\circ\text{C} \sim 105^\circ\text{C}$	
Storage Temperature Range	$-20^\circ\text{C} \sim 105^\circ\text{C}$	
Vibration	$\leq 98\text{m/s}^2$ 10 to 2000Hz	Per IEC 60068-2-6
Shock	$\leq 1960\text{m/s}^2$ 6ms; Half Sine	Per IEC 60068-2-27
Protection	IP50	
Relative Air Humidity (Non-Condensing)	RH 90 %	$T_a = +40^\circ\text{C}$
Others		
Counting Direction	Increase with Counter Clockwise (CCW) shaft rotation, view from coupling end (Figure 1)	
Initialization Time	500 ms	
Output Connection	Refer to cable connection information	Approximate 200mm (AWG28)

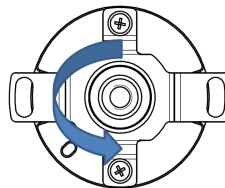


Figure 1

Note: 1. Exposure to absolute maximum rating conditions for extended periods may affect reliability.

38HA-MS Series Datasheet

■ Interface Diagram

The following are examples of the circuit diagram of full-duplex and half-duplex transceiver.

Full-duplex transceiver (BiSS C mode / SSI mode protocol):

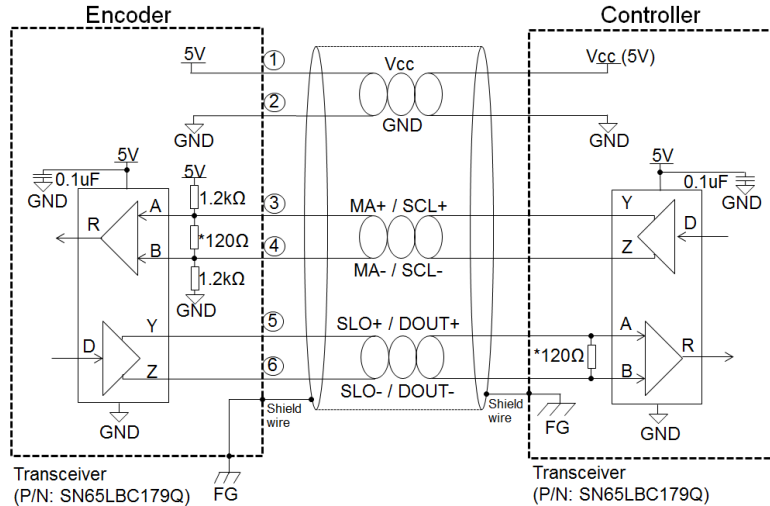


Figure 2: Circuit diagram of full-duplex transceiver

Half-duplex transceiver (RS-485 half-duplex protocol):

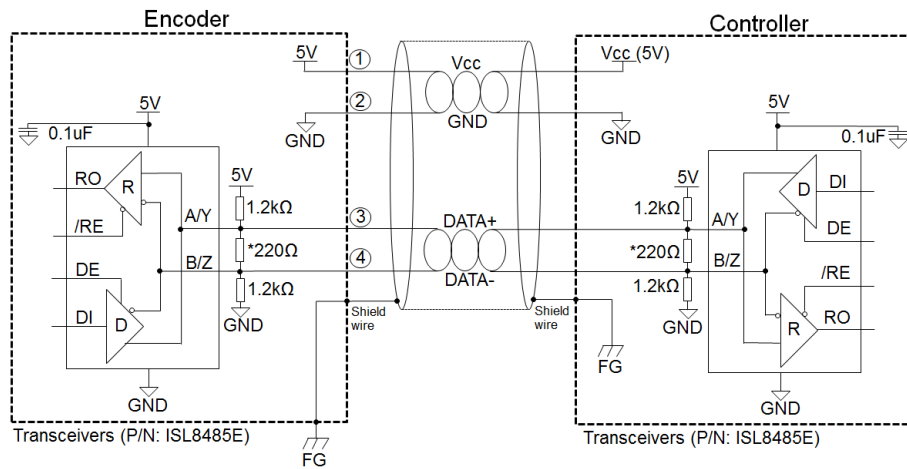


Figure 3: Circuit diagram of half-duplex transceiver

Note:

- 1) Termination resistor, *120ohm and *220ohm are recommended but may depends on the characteristic impedance of cable used.
- 2) Recommended to connect encoder chassis and cable shield to frame ground (FG) in application for enhanced noise immunity in harst operating condition.

38HA-MS Series Datasheet

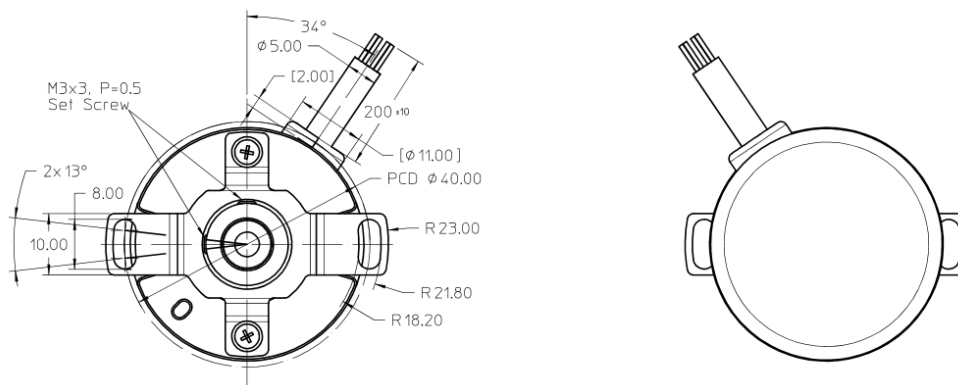
■ Cable Connection Information

No	Cable Color	BiSS C mode protocol (output: 7 core cable)	SSI mode protocol (output: 7 core cable)	RS-485 half-duplex protocol (output: 5 core cable)
1	RED	VCC, Positive Supply	VCC, Positive Supply	VCC, Positive Supply
2	BLACK	GND, Ground	GND, Ground	GND, Ground
3	BROWN	MA+	SCL+	DATA+
4	WHITE	MA-	SCL-	DATA-
5	ORANGE	SLO+	DOUT+	N/A
6	BLUE	SLO-	DOUT-	N/A
7	Cable Shield Strand	Cable Shield, Connect to Chassis	Cable Shield, Connect to Chassis	Cable Shield, Connect to Chassis

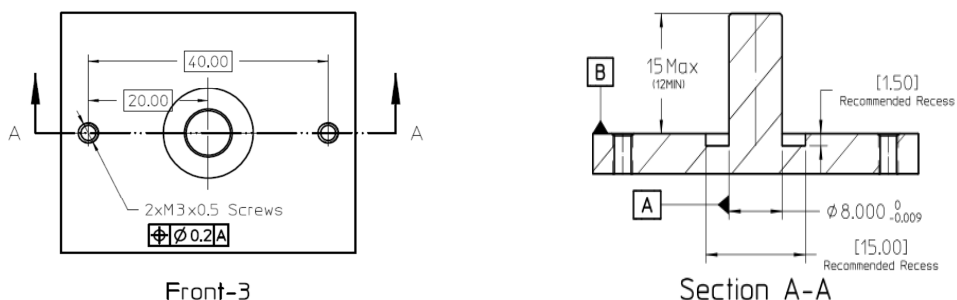
Note: Cable provided is 200mm +/- 10mm (included pigtail length) with AWG28.

■ Mechanical Drawing

Package Dimension



Recommended Shaft and Mounting Requirement



- Note:
1. Dimensions are in millimeters
 2. 3rd Angle Projection
 3. Unless otherwise specified, all tolerances are within ±0.5 mm
 4. Recommended to have a recess on motor mounting surface to prevent encoder shaft interference with motor base.

38HA-MS Series Datasheet

■ Applications

- Robot and robotic engineering
- Factory automation
- Linear positioning system
- CNC machine tool
- Medical and lab equipment

NOTE

Broadcom encoders are not recommended for use in safety critical applications. E.g. ABS braking systems, power steering, life support systems and critical care medical equipment. Please contact sales representative if more clarification is needed.

Headquarter Switzerland:
 Angst+Pfister Sensors and Power AG
 Thurgauerstrasse 66
 CH-8050 Zurich
 Phone +41 44 877 35 00
 sensorsandpower@angst-pfister.com

Office Germany:
 Angst+Pfister Sensors and Power
 Deutschland GmbH
 Edisonstraße 16
 D-85716 Unterschleißheim
 Phone +49 89 374 288 87 0
 sensorsandpower.de@angst-pfister.com



We are here for you. Addresses and Contacts.

Sales Germany & Austria

Geometrical sensors
 Other products

Kurt Stritzelberger
 Phone +49 89 374 288 87 22
 kurt.stritzelberger@angst-pfister.com

Pressure sensors
 Other products

Gerhard Vetter
 Phone +49 89 374 288 87 26
 gerhard.vetter@angst-pfister.com

Gas sensors and modules

Peter Felder
 Phone +41 44 877 35 05
 peter.felder@angst-pfister.com

Sales Switzerland & Liechtenstein

Postcode 3000 – 9999

Basil Frei
 Phone +41 44 877 35 18
 basil.frei@angst-pfister.com

Postcode 1000 – 2999

Christian Mohrenstecher
 Phone +41 76 444 57 93
 christian.mohrenstecher@angst-pfister.com

Sales International Key Accounts

Peter Felder
 Phone +41 44 877 35 05
 peter.felder@angst-pfister.com

Sales Other Countries / Product Management

Pressure Sensors
 Load Cells

Philipp Kistler
 Phone +41 44 877 35 03
 philipp.kistler@angst-pfister.com

Gas sensors
 Gas sensor modules

Dr. Thomas Clausen
 Phone +49 89 374 288 87 24
 thomas.clausen@angst-pfister.com

Flow / Level / Medical products

Dr. Adriano Pittarelli
 Phone +49 89 374 288 87 67
 adriano.pittarelli@angst-pfister.com

Power supplies

Sebastiano Leggio
 Phone +41 44 877 35 06
 sebastiano.leggio@angst-pfister.com

Linear position sensors
 Angle sensors

Eric Letsch
 Phone +41 44 877 35 14
 eric.letsch@angst-pfister.com

Accelerometers
 Sensor elements

Christoph Kleye
 Phone +49 89 374 288 87 61
 christoph.kleye@angst-pfister.com

Drive technology
 CH Postcode 5000 – 9999 / DE

Roman Homa
 Phone +41 76 444 00 86
 roman.homa@angst-pfister.com

Drive technology
 CH Postcode 1000 – 4999 / AT / IT / FR

Christian Mohrenstecher
 Phone +41 76 444 57 93
 christian.mohrenstecher@angst-pfister.com

Harald Thomas
 Phone +49 89 374 288 87 23
 harald.thomas@angst-pfister.com

Experts on Design-In
 for sensors and power solutions

Headquarter Switzerland:
Angst+Pfister Sensors and Power AG

Thurgauerstrasse 66
CH-8050 Zurich
Phone +41 44 877 35 00
sensorsandpower@angst-pfister.com

Office Germany:
Angst+Pfister Sensors and Power
Deutschland GmbH
Edisonstraße 16
D-85716 Unterschleißheim
Phone +49 89 374 288 87 0
sensorsandpower.de@angst-pfister.com



We are here for you. Addresses and Contacts.

Sales Germany & Austria

Geometrical sensors
Other products

Kurt Stritzelberger
Phone +49 89 374 288 87 22
kurt.stritzelberger@angst-pfister.com

Pressure sensors
Other products

Gerhard Vetter
Phone +49 89 374 288 87 26
gerhard.vetter@angst-pfister.com

Gas sensors and modules

Peter Felder
Phone +41 44 877 35 05
peter.felder@angst-pfister.com

Sales Switzerland & Liechtenstein

Postcode 3000 – 9999

Basil Frei
Phone +41 44 877 35 18
basil.frei@angst-pfister.com

Postcode 1000 – 2999

Christian Mohrenstecher
Phone +41 76 444 57 93
christian.mohrenstecher@angst-pfister.com

Sales International Key Accounts

Peter Felder
Phone +41 44 877 35 05
peter.felder@angst-pfister.com

Sales Other Countries / Product Management

Pressure Sensors
Load Cells

Philipp Kistler
Phone +41 44 877 35 03
philipp.kistler@angst-pfister.com

Gas sensors
Gas sensor modules

Dr. Thomas Clausen
Phone +49 89 374 288 87 24
thomas.clausen@angst-pfister.com

Flow / Level / Medical products

Dr. Adriano Pittarelli
Phone +49 89 374 288 87 67
adriano.pittarelli@angst-pfister.com

Power supplies

Sebastiano Leggio
Phone +41 44 877 35 06
sebastiano.leggio@angst-pfister.com

Linear position sensors
Angle sensors

Eric Letsch
Phone +41 44 877 35 14
eric.letsch@angst-pfister.com

Accelerometers
Sensor elements

Christoph Kleye
Phone +49 89 374 288 87 61
christoph.kleye@angst-pfister.com

Drive technology
CH Postcode 5000 – 9999 / DE

Roman Homa
Phone +41 76 444 00 86
roman.homa@angst-pfister.com

Drive technology
CH Postcode 1000 – 4999 / AT / IT / FR

Christian Mohrenstecher
Phone +41 76 444 57 93
christian.mohrenstecher@angst-pfister.com

Harald Thomas
Phone +49 89 374 288 87 23
harald.thomas@angst-pfister.com