

ABSOLUTE TYPE

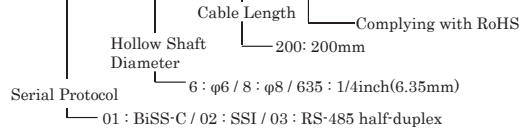
38HA-MS Series



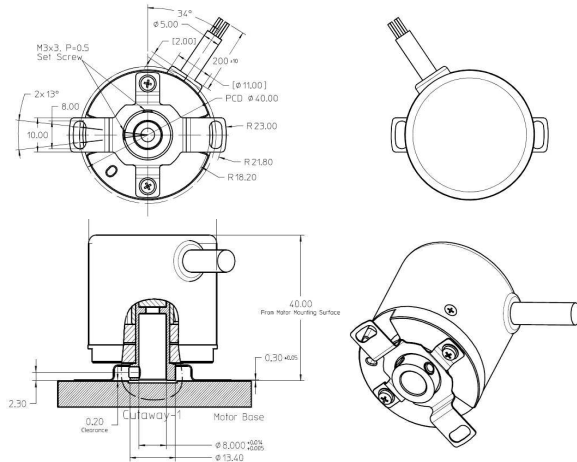
- Battery less
- 39bit Multi turn
- Housed encoder
- Hollow Shaft

Model

38HA-MS□□-□□□-200-00E

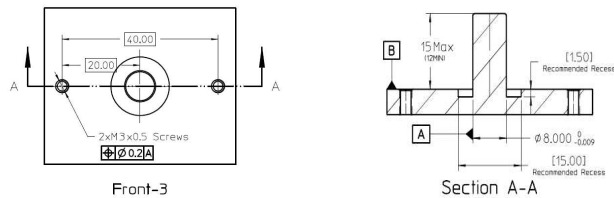


Dimension



Mounting

Example:φ8



Electrical Spec.

Resolution	Multi turn: 16bit Single turn: 23bit
Current Consumption	115mA Typ. (No load)
Supply Voltage	5V ± 0.5V
Electrically Permissible Speed	< 6000 min ⁻¹
Initialization Time	< 500 ms

Mechanical Spec.

System Accuracy (With electrical correction)	±80 Arc·sec (T _{amb} = 25°C)
Mechanical Permissible Speed	< 6000 min ⁻¹
Shaft Play	≤±0.05 mm(Radial) ≤±0.1 mm(Axial)
Starting torque	≤9.8x10 ⁻³ N·m T _{amb} = 25°C
Weight	0.047 kg (±10%)

Environmental Spec.

Storage Temperature	-20 to 105 °C
Operating Temperature	-20 to 105 °C
Relative Air Humidity (Non-Condensing)	90%RH (T _{amb} = 40°C)
Vibration	10G; 10 to 2000Hz
Shock	6ms; Half Sine; 200G
Protection	IP50

Connection

No	Cable Color	BiSS-C (7 core cable)	SSI (7 core cable)	RS-485 (5 core cable)
1	RED	VCC, Encoder Supply	VCC, Encoder Supply	VCC, Encoder Supply
2	BLACK	GND, Ground	GND, Ground	GND, Ground
3	BROWN	MA+	SCL+	DATA+
4	WHITE	MA-	SCL-	DATA-
5	ORANGE	SLO+	DOUT+	N/A
6	BLUE	SLO-	DOUT-	N/A
7	Cable Shield	Cable Shield	Cable Shield	Cable Shield

Note: Cable provided is 200mm +/- 10mm (included pigtail length) with AWG28.

Data communication

BiSS-C / SSI		RS-485	
Interface	Circuit	Interface	Circuit
Serial Clock(MA)	Transceiver(P/N:SN65LBC179Q)	Serial Data(DATA+)	Transceiver(P/N:ISL8485E)
Serial Data(SLO)	Transceiver(P/N:SN65LBC179Q)	Serial Data(DATA-)	Transceiver(P/N:ISL8485E)

[Note]

Please contact our Sales for inquiries about this product of details.

Headquarter Switzerland:
Angst+Pfister Sensors and Power AG
Thurgauerstrasse 66
CH-8050 Zurich
Phone +41 44 877 35 00
sensorsandpower@angst-pfister.com

Office Germany:
Angst+Pfister Sensors and Power Deutschland GmbH
Edisonstraße 16
D-85716 Unterschleißheim
Phone +49 89 374 288 87 0
sensorsandpower.de@angst-pfister.com



We are here for you. Addresses and Contacts.

Sales Germany & Austria

Geometrical sensors
Other products

Kurt Stritzelberger
Phone +49 89 374 288 87 22
kurt.stritzelberger@angst-pfister.com

Pressure sensors
Other products

Gerhard Vetter
Phone +49 89 374 288 87 26
gerhard.vetter@angst-pfister.com

Gas sensors and modules

Peter Felder
Phone +41 44 877 35 05
peter.felder@angst-pfister.com

Sales Switzerland & Liechtenstein

Postcode 3000 – 9999

Basil Frei
Phone +41 44 877 35 18
basil.frei@angst-pfister.com

Postcode 1000 – 2999

Christian Mohrenstecher
Phone +41 76 444 57 93
christian.mohrenstecher@angst-pfister.com

Sales International Key Accounts

Peter Felder
Phone +41 44 877 35 05
peter.felder@angst-pfister.com

Sales Other Countries / Product Management

Pressure Sensors
Load Cells

Philipp Kistler
Phone +41 44 877 35 03
philipp.kistler@angst-pfister.com

Gas sensors
Gas sensor modules

Dr. Thomas Clausen
Phone +49 89 374 288 87 24
thomas.clausen@angst-pfister.com

Flow / Level / Medical products

Dr. Adriano Pittarelli
Phone +49 89 374 288 87 67
adriano.pittarelli@angst-pfister.com

Power supplies

Sebastiano Leggio
Phone +41 44 877 35 06
sebastiano.leggio@angst-pfister.com

Linear position sensors
Angle sensors

Eric Letsch
Phone +41 44 877 35 14
eric.letsch@angst-pfister.com

Drive technology
CH Postcode 5000 – 9999 / DE

Roman Homa
Phone +41 76 444 00 86
roman.homa@angst-pfister.com

Drive technology
CH Postcode 1000 – 4999 / AT / IT / FR

Christian Mohrenstecher
Phone +41 76 444 57 93
christian.mohrenstecher@angst-pfister.com

Accelerometers
Sensor elements

Christoph Kleye
Phone +49 89 374 288 87 61
christoph.kleye@angst-pfister.com

Harald Thomas
Phone +49 89 374 288 87 23
harald.thomas@angst-pfister.com

Experts on Design-In
for sensors and power solutions