

Contactless Hall-IC Angle Sensor

# UV-JHA-03

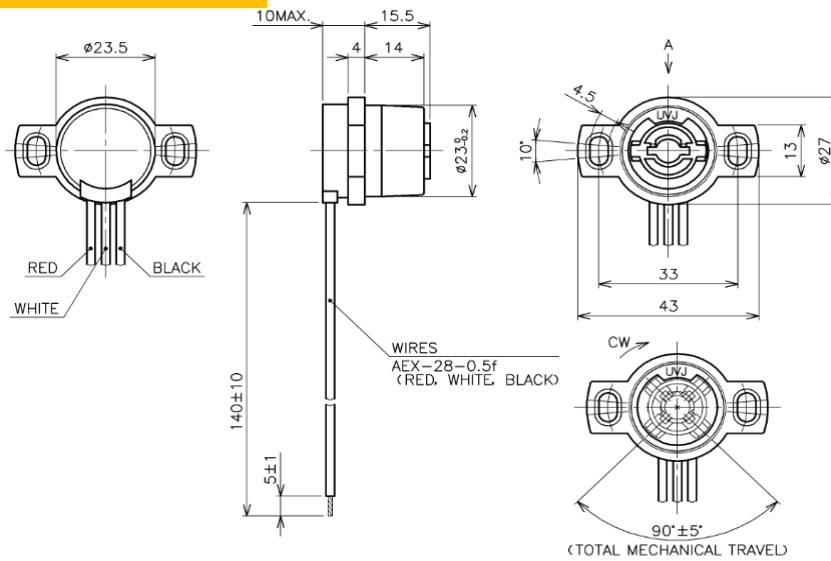


- Contactless Hall-IC Angle Sensor
- Effective Electrical Travel :  $\pm 40^\circ$
- Independent Linearity:  $\pm 1.5\%FS$
- Semi Hollow Shaft
- Negative Linear Output

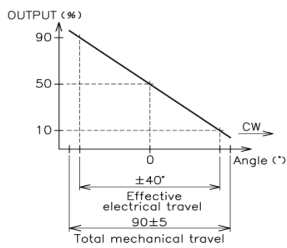
**[Material]**

- Housing : PBT
- Mounting Hole Insert : Nickel Plated

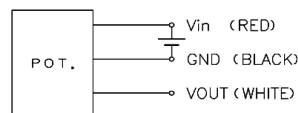
## Dimension (mm)



## Output Characteristics



## Schematic



• RED, WHITE AND BLACK INDICATE WIRE COLORS.

<b>[Model No.]</b>	<b>UV-JHA-03</b>
--------------------	------------------

<b>Electrical Specifications</b>	
Effective Electrical Travel	±40°
Output Range	0.975 ~ 1.025%Vin
Independent Linearity	±1.5%FS
Input Voltage	DC5V±0.5V
Load Resistance	10KΩ MIN.
Supply Current	16mA MAX.
Insulation Resistance	100MΩ / DC50V MIN.
Temp. Characteristics: -30~100°C	@0° Position : ±0.7°, @±40°Position : ±0.7° (Reference Temp. 25°C)

<b>Mechanical Specifications</b>	
Total Mechanical Travel	90°±5° Endless
Torque	2mN · m MAX.
Mass	Approx. 30g

<b>Environmental Specifications</b>	
Category Temperature Range	-30°C~100°C
Storage Temperature Range	-40°C~100°C

- Options**
- Positive Linear Output : UV-JHA-02

- Handling Instruction**
- Do not use Hall-IC sensor as a variable resistor.
  - This product may be influenced from external magnetic field.
  - Use this sensor in the place where is protected from ESD.

## We are here for you. Addresses and Contacts.

---

### Headquarter Switzerland:

Angst+Pfister Sensors and Power AG  
Thurgauerstrasse 66  
CH-8050 Zurich  
Phone +41 44 877 35 00  
[sensorsandpower@angst-pfister.com](mailto:sensorsandpower@angst-pfister.com)

### Office Germany:

Angst+Pfister Sensors and Power Deutschland GmbH  
Edisonstraße 16  
D-85716 Unterschleißheim  
Phone +49 89 374 288 87 00  
[sensorsandpower.de@angst-pfister.com](mailto:sensorsandpower.de@angst-pfister.com)

---

Scan here and get an overview of personal contacts!



[sensorsandpower.angst-pfister.com](https://sensorsandpower.angst-pfister.com)

---