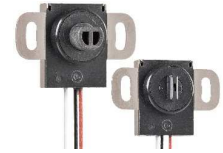




Selection Guide of CP-1HX



select output and shaft types for suitable applications

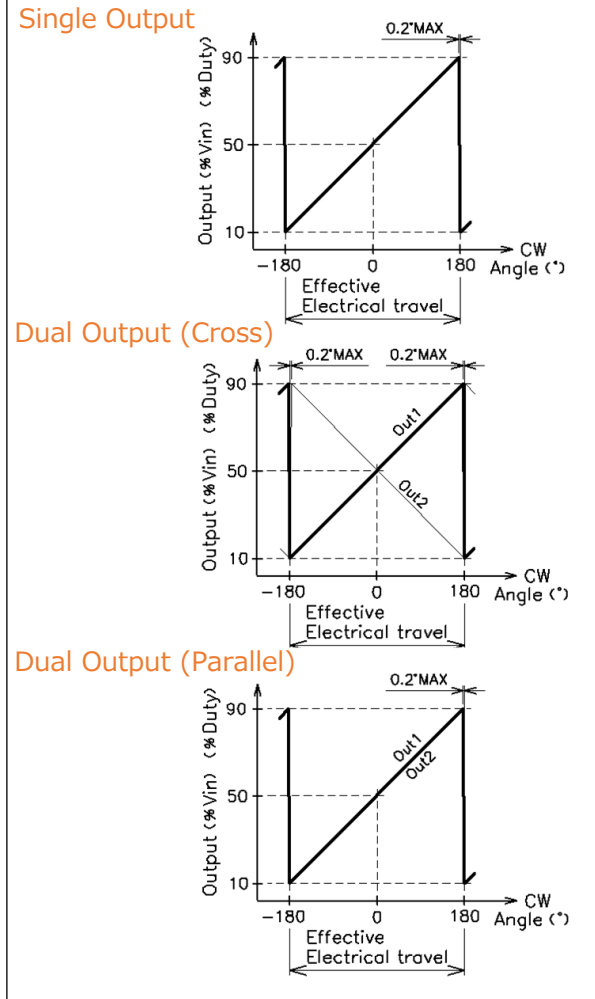
Subject		Specification	
Basic Characteristics	Dimension/Mass	W14mm×D18mm×H4.4mm / 5g approx.	
	Effective Elect. Travel*	±180°	
	Absolute Linearity	±2%FS	
	Input Voltage	DC5±0.5V	
	Output type	Voltage Ratio / PWM (Single or Dual output)	
Electrical	Output Range	Ratio 10~90%Vin	PWM 10~90%Duty
	Resolution	12bit(0~100%Vin)	
	Current Consumption	10mA max. (Single output)	20mA max. (Dual output)
	Temp. Characteristics -40~+85°C (25°C std.)	±1°	
Environmental	Life time	7M Cycle (Room Temp., No Load)	
	Category Temp. Range	-40~85°C	
	Vibration	200m/s ² , 5~500Hz 10min, 3axis 2hours (Room Temp.)	
	Shock	500m/s ² , 11ms, 3axis 3 times (Room Temp.)	
	EMS	100V/m, 1MHz~ 1 GHz (ISO 11452-2, -3)	
	ESD	±15kV (IEC 61000-4-2)	
	IP Rating	IP67 (Circuit part only)	

* Other Electrical travel range is available on request.

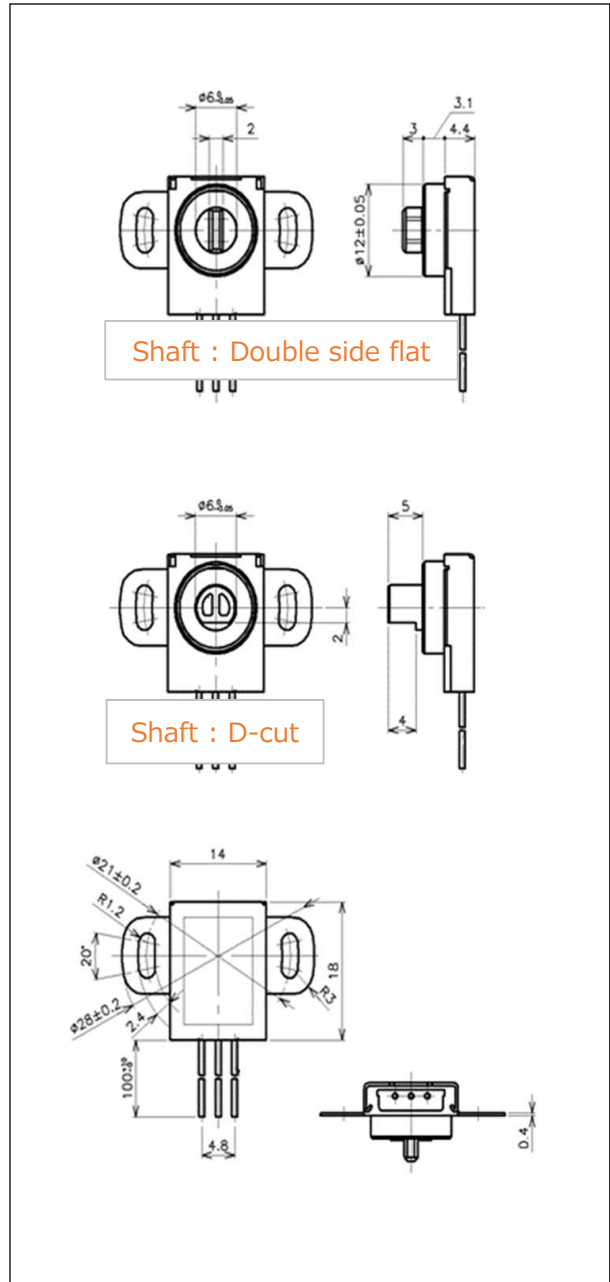
Model Number Designation

CP-1HX	C	360	-	R	1	-	XX
Series Number	Output	Electrical Travel		Output Type	Shaft Type		Custom
None : Single Output C : Dual Output (Cross Output) P : Dual Output (Parallel Output)				R : Ratio P : PWM			
		±180° : 360 (Ex.) 090=90° ± 90° : 180 ± 45° : 090			1 : Double Side Flat shaft 2 : D-Cut 0 : Touchless		

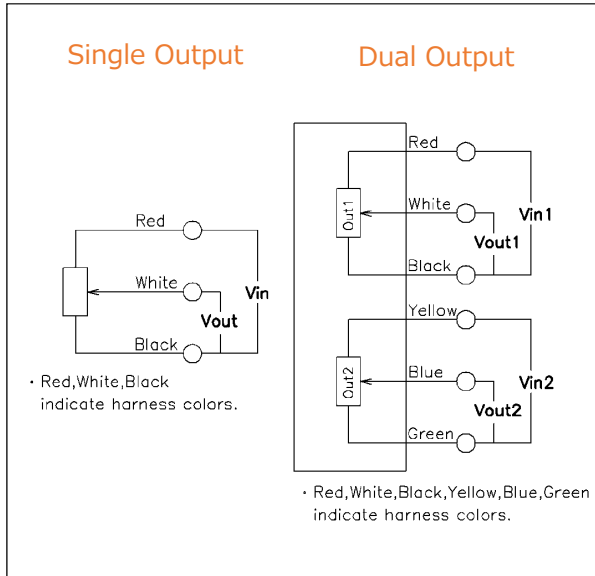
■ Output Characteristics



■ Dimension



■ Schematic



We are here for you. Addresses and Contacts.

Headquarter Switzerland:

Angst+Pfister Sensors and Power AG
Thurgauerstrasse 66
CH-8050 Zurich
Phone +41 44 877 35 00
sensorsandpower@angst-pfister.com

Office Germany:

Angst+Pfister Sensors and Power Deutschland GmbH
Edisonstraße 16
D-85716 Unterschleißheim
Phone +49 89 374 288 87 00
sensorsandpower.de@angst-pfister.com

Scan here and get an overview of personal contacts!



sensorsandpower.angst-pfister.com
