



# Selection Guide of CP-45F



## Contact type potentiometer using Conductive Plastic Element

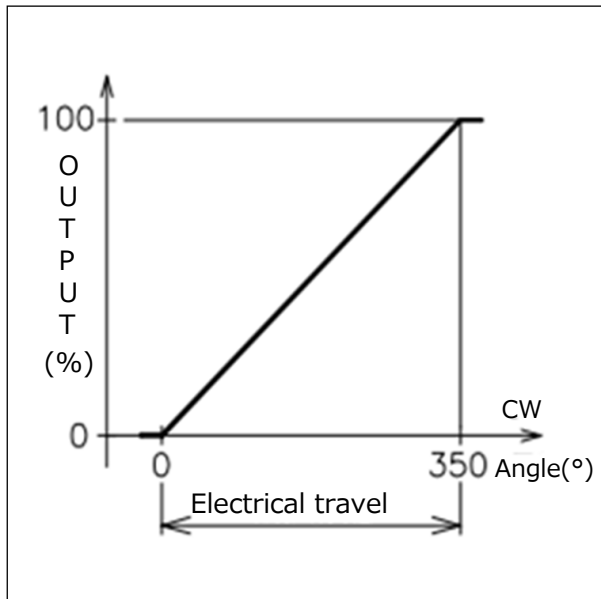
Subject		Specifications
Basic Characteristics	Dimension/Mass	Φ45×13.5mm / 51g approx.
	Effective Electrical Travel	350° +3° , -2°
	Independent Linearity	±0.1%
	Total Resistance (Input voltage)	1kΩ (50V max.) , 2kΩ (71V max.) , 5kΩ (112V max.) , 10kΩ (159V max.)
	Total Mechanical Travel	360° Endless
	Output	Ratio metric
Electrical	Output Range	Ratio metric output 0~100%
	Resolution	Infinitesimal
	Rated Dissipation	3W / 70°C
	Temp. Coefficient of Resistance	±400ppm / K
Environmental	Life	MIN. 50 Million Revolution
	Category Temperature Range	-40~+120°C
	Vibration	200m/s <sup>2</sup> 2000Hz 3 axes 2 hours each
	Shock	600m/s <sup>2</sup> 11ms 3 times each in 6 directions

\* Other CP-45F series line-up  
"Multi-turn type", "Water Drip Proof type", and "Wire Extension type".

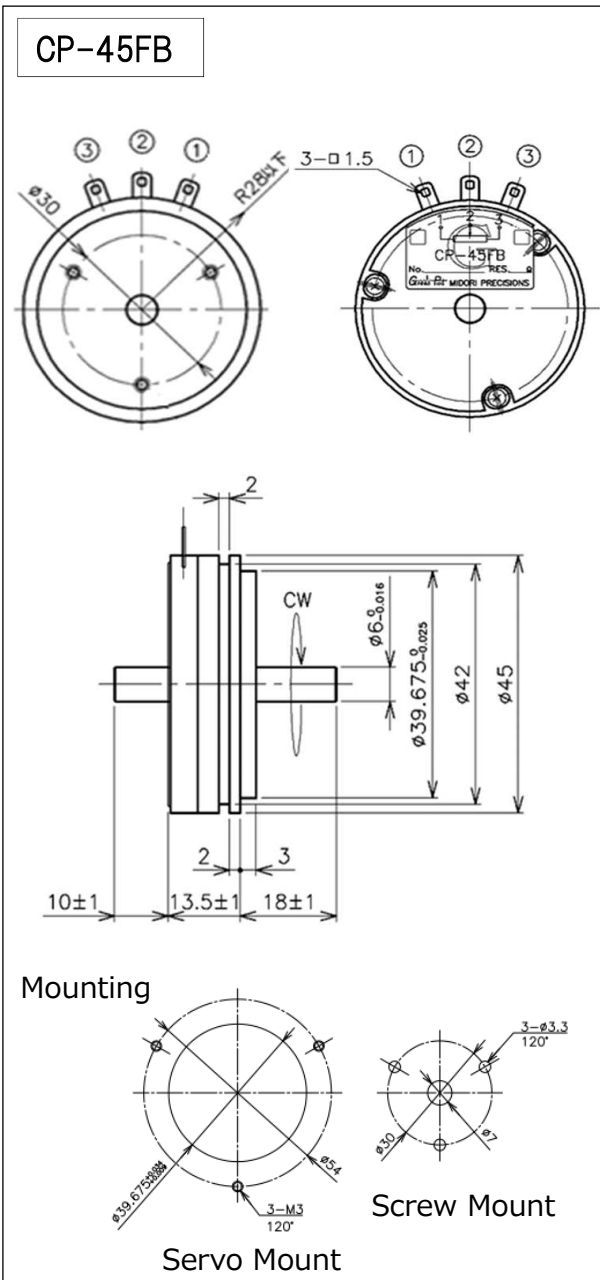
## Model Number Designation

<b>CP-45F</b>	<b>B</b>	<b>× 2</b>	<b>-</b>	<b>XX</b>	<b>1KΩ</b>
Series Number	Shaft dia.	Output		Custom	Total Resistance
	None : Φ4mm B : Φ6mm	None : Single Output ×2 : Dual Output		L2=0 : shaft L2 side 0mm XX : Other custom spec.	1,2,5,10KΩ

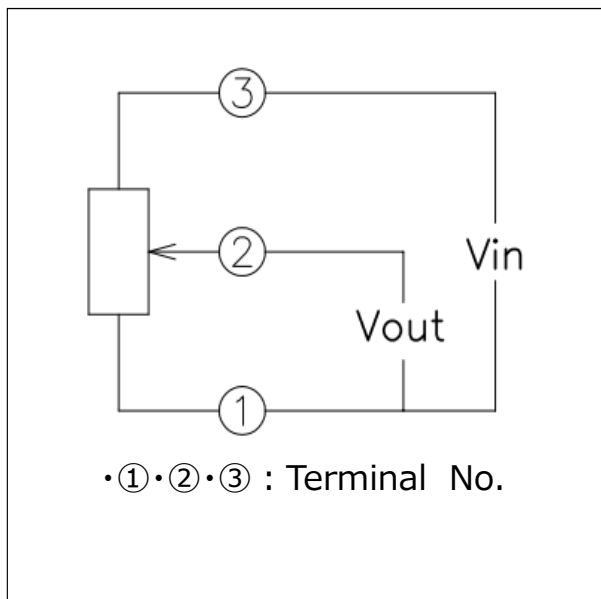
■ Output Characteristics



■ Dimension



■ Schematic



## We are here for you. Addresses and Contacts.

---

### Headquarter Switzerland:

Angst+Pfister Sensors and Power AG  
Thurgauerstrasse 66  
CH-8050 Zurich  
Phone +41 44 877 35 00  
sensorsandpower@angst-pfister.com

### Office Germany:

Angst+Pfister Sensors and Power Deutschland GmbH  
Edisonstraße 16  
D-85716 Unterschleißheim  
Phone +49 89 374 288 87 00  
sensorsandpower.de@angst-pfister.com

---

Scan here and get an overview of personal contacts!



[sensorsandpower.angst-pfister.com](https://sensorsandpower.angst-pfister.com)

---