

Conductive Plastic Angle Sensor

CP-2FBJ Series



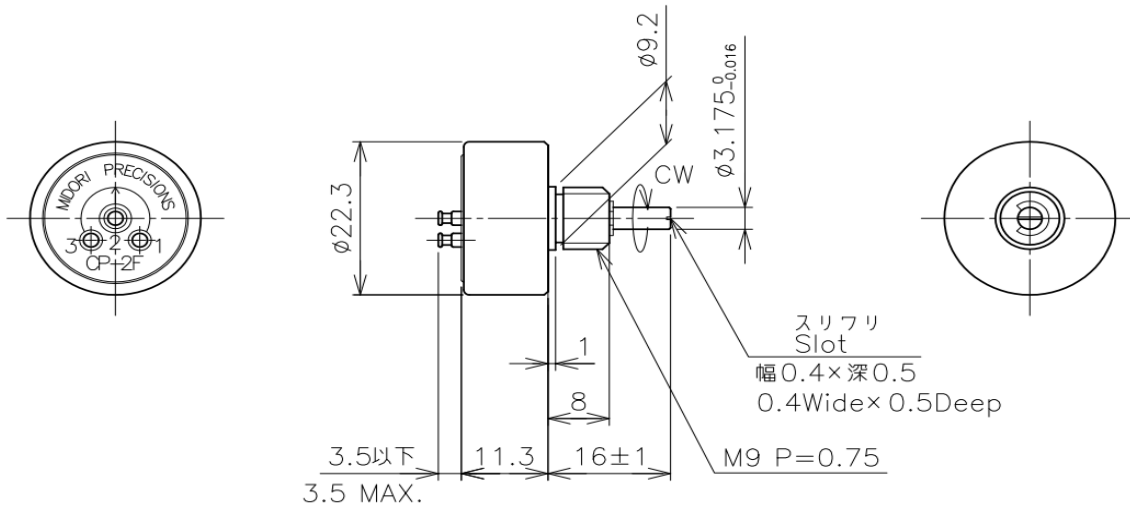
- Conductive Plastic Angle Sensor
- Effective Electrical Travel : 340°
- Independent Linearity : ±1%
- Bushing Mount

- CP-2FB(b)J : Ball Bearing
- CP-2FB(m)J : Metal Sleeve Bearing

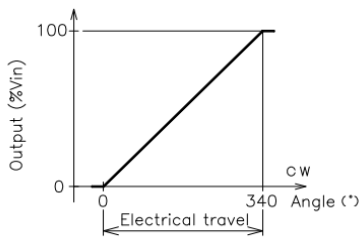
【Material】

- Housing : Aluminum
- Shaft : Stainless Steel
- Bearing : CP-2FB(b)J …Ball Bearing : Stainless Steel
CP-2FB(m)J …Metal Sleeve Bearing : Copper Alloy

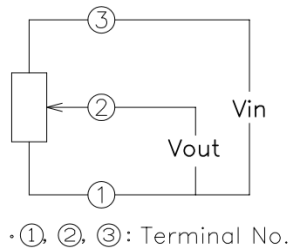
Dimension [mm]



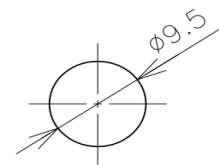
Output Characteristics



Schematic



Mounting



MIDORI PRECISIONS
 URL: <http://www.midori.co.jp>
 E-mail: overseas@midori.co.jp

2014/8

| 【Model No.】 | CP-2FB(b)J <Ball Bearing> | CP-2FB(m)J <Metal Sleeve Bearing> | |
|---------------------------------------|------------------------------|--------------------------------------|-------|
| 【Electrical Specifications】 | | | |
| Effective Electrical Travel | 340 +2, -3 | | ° |
| Total Resistance | 1, 2, 5, 10 | | kΩ |
| Total Resistance Tolerance | ±20 | | % |
| Independent Linearity | ±1 | | % |
| Rated Dissipation | 0.5/50°C | | W |
| Output Smoothness | MAX. 0.1 | | % |
| Insulation Resistance | MIN. 100/DC1000V | | MΩ |
| Dielectric Strength | AC1000/1 Minute | | V |
| Temperature Coefficient of Resistance | ±400 | | ppm/K |

| | | | |
|------------------------------------|-------------|--------|------|
| 【Mechanical Specifications】 | | | |
| Total Mechanical Travel | 360 Endless | | ° |
| Torque | MAX. 0.5 | MAX. 2 | mN·m |
| Thrust Load Tolerance | 2 | | N |
| Radial Load Tolerance | 5 | | N |
| Mass | Approx. 20 | | g |

| | | | |
|---------------------------------------|---|--|-------|
| 【Environmental Specifications】 | | | |
| Life Cycles | 10 Million | | Cycle |
| Category Temperature Range | -40 ~ +100 | | °C |
| Storage Temperature Range | -40 ~ +100 | | °C |
| Vibration | 150m/s ² 2000Hz 3axis 2 hours each | | |
| Shock | 500m/s ² 11ms 6 directions 3 times | | |

■ Accessories

M9 Nut
Toothed Lock Washer (Internal) 1pcs each

■ Handling Instruction

- To avoid burnout of resistive element, do not supply more than 1mA current to terminal 2.
- Miswiring might cause burnout of resistive element.
- To reduce sliding noise, add load resistance should be more than 100times and less than 1000times of total resistance.
- Slight continuous vibration such as dither might cause short lifetime of the sensor.

We are here for you. Addresses and Contacts.

Headquarter Switzerland:

Angst+Pfister Sensors and Power AG
Thurgauerstrasse 66
CH-8050 Zurich
Phone +41 44 877 35 00
sensorsandpower@angst-pfister.com

Office Germany:

Angst+Pfister Sensors and Power Deutschland GmbH
Edisonstraße 16
D-85716 Unterschleißheim
Phone +49 89 374 288 87 00
sensorsandpower.de@angst-pfister.com

Scan here and get an overview of personal contacts!



sensorsandpower.angst-pfister.com
