

Conductive Plastic Angle Sensor

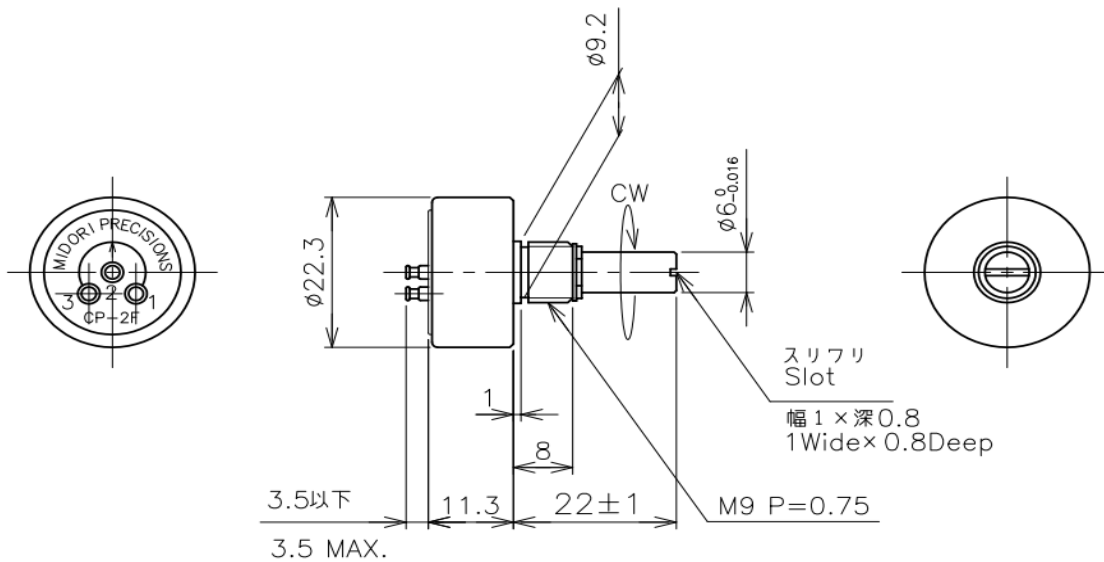
CP-2FBJ-6 Series



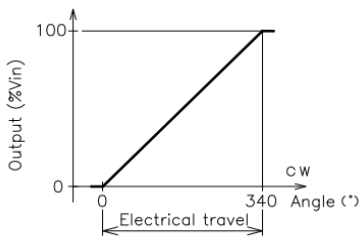
- Conductive Plastic Angle Sensor
- Effective Electrical Travel : 340°
- Independent Linearity : ±1%
- Bushing Mount
- CP-2FBJ-6 : Metal Sleeve Bearing
- CP-2FBGJ-6 : Metal Sleeve Bearing & O-ring

【Material】
 ●Housing : Aluminum
 ●Shaft : Stainless Steel

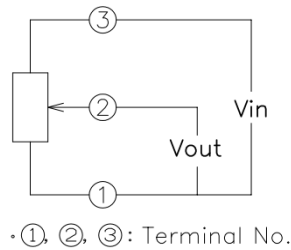
■Dimension [mm]



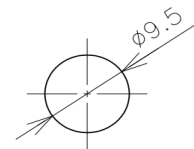
■Output Characteristics



■Schematic



■Mounting



MIDORI PRECISIONS
 URL: <http://www.midori.co.jp>
 E-mail: overseas@midori.co.jp

2014/8

【Model No.】	CP-2FBJ-6	CP-2FBGJ-6
--------------------	------------------	-------------------

【Electrical Specifications】

Effective Electrical Travel	340 +2, -3	°
Total Resistance	1, 2, 5, 10	kΩ
Total Resistance Tolerance	±20	%
Independent Linearity	±1	%
Rated Dissipation	0.5/50°C	W
Output Smoothness	MAX. 0.1	%
Insulation Resistance	MIN. 100/DC1000V	MΩ
Dielectric Strength	AC1000/1 Minute	V
Temperature Coefficient of Resistance	±400	ppm/K

【Mechanical Specifications】

Total Mechanical Travel	360 Endless		°
Torque	MAX. 3.5	MAX. 20	mN·m
Thrust Load Tolerance	1		N
Radial Load Tolerance	2		N
Mass	Approx. 20		g

【Environmental Specifications】

Life Cycles	10 Million	Cycle
Category Temperature Range	-40 ~ +100	°C
Storage Temperature Range	-40 ~ +100	°C
Vibration	150m/s ² 2000Hz 3axis 2 hours each	
Shock	500m/s ² 11ms 6 directions 3 times	

■ Accessories

M9 Nut
Toothed Lock Washer (Internal) 1pc each

■ Handling Instruction

- To avoid burnout of resistive element, do not supply more than 1mA current to terminal 2.
- Miswiring might cause burnout of resistive element.
- To reduce sliding noise, add load resistance should be more than 100times and less than 1000times of total resistance.
- Slight continuous vibration such as dither might cause short lifetime of the sensor.

We are here for you. Addresses and Contacts.

Headquarter Switzerland:

Angst+Pfister Sensors and Power AG
Thurgauerstrasse 66
CH-8050 Zurich
Phone +41 44 877 35 00
sensorsandpower@angst-pfister.com

Office Germany:

Angst+Pfister Sensors and Power Deutschland GmbH
Edisonstraße 16
D-85716 Unterschleißheim
Phone +49 89 374 288 87 00
sensorsandpower.de@angst-pfister.com

Scan here and get an overview of personal contacts!



sensorsandpower.angst-pfister.com
