

Contactless Hall-IC Angle Sensor

CP-22H-S Series

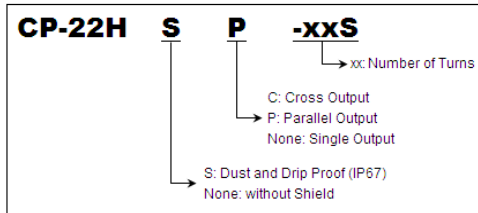


- Contactless Hall-IC Multi-Turn Angle Sensor
- Effective Electrical Travel : 1800°(5S) ~ 21600°(60S)
- Absolute Linearity : ±1%FS

【Material】

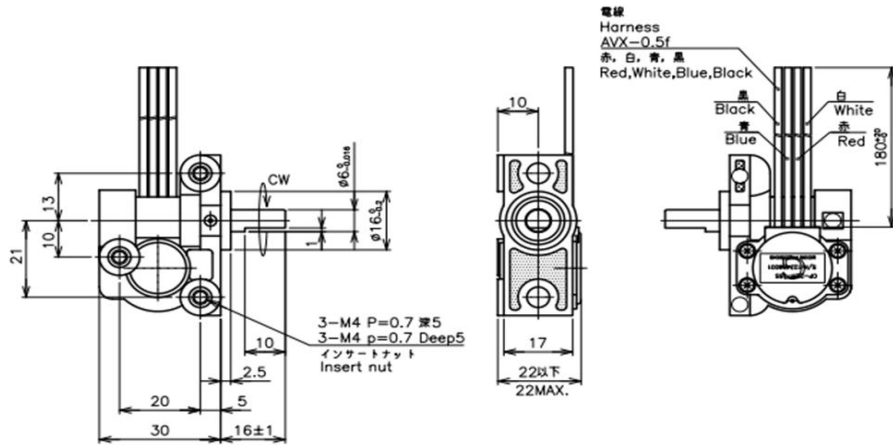
- Housing : PBT
- Shaft : Stainless Steel
- Bearing : Stainless Steel

CP-22H-S Model Number Designation

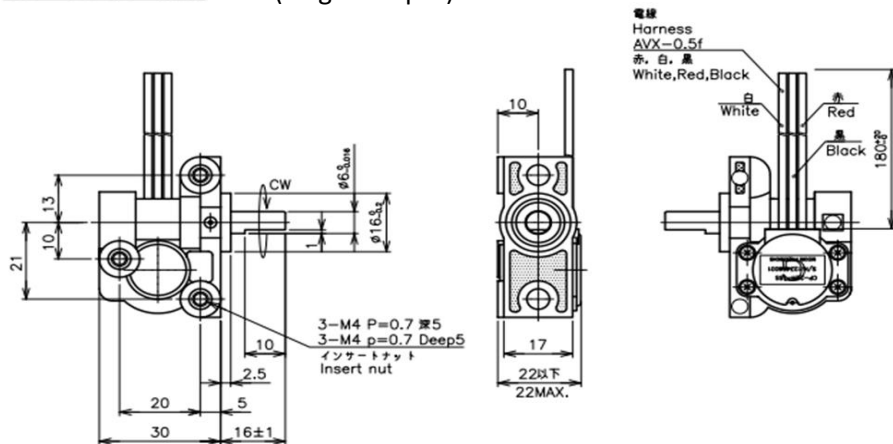


Dimension

CP-22HC-xxS xx=12,50 (Dual Output)
CP-22HP-xxS



CP-22H-xxS (Single Output)

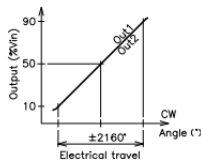


MIDORI MIDORI PRECISIONS
 URL: <http://www.midori.co.jp>
 E-mail: overseas@midori.co.jp

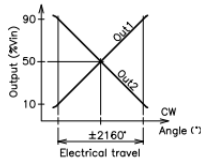
2013/9

Output Characteristics

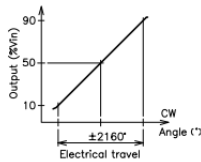
CP-22HP-12S (Parallel Output)



CP-22HC-12S (Cross Output)

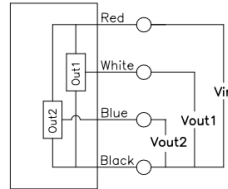


CP-22H-12S (Single Output)



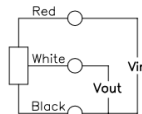
Schematic

Dual Output



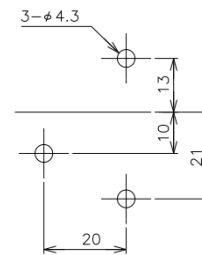
• Red,White,Blue,Black indicate lead colors.

Single Output



• Red,White,Black indicate lead colors.

Mounting



		(5-turn)	(12-turn)	(30-turn)	(50-turn)	(60-turn)	
【Model No.】	Single Output	CP-22H-5S	CP-22H-12S	CP-22H-30S	CP-22H-50S	CP-22H-60S	
	Parallel Output	CP-22HP-5S	CP-22HP-12S	CP-22HP-30S	CP-22HP-50S	CP-22HP-60S	
	Cross Output	CP-22HC-5S	CP-22HC-12S	CP-22HC-30S	CP-22HC-50S	CP-22HC-60S	

【Electrical Specifications】

Effective Electrical Travel	1800	4320	10800	18000	21600		°
Output Range	10 ~ 90						%Vin
Absolute Linearity	±1						%FS
Input Voltage	DC5±0.5						V
Load Resistance	10 ~ 150						kΩ
Supply Current	MAX. 16 (Single Output) / MAX. 32 (Dual Output)						mA
Insulation Resistance	MIN. 100/DC50						MΩ
Output Resolution	12 (0 ~ 100%Vin)						bit
Response Time	MAX. 0.9						ms
Hysteresis	MAX. 0.5						%FS
Temp. Characteristics -40 ~ +85°C(Reference Temp. 25°C)	MAX. ±11.25	MAX. ±27	MAX. ±67.5	MAX. 112.5	MAX. ±135		°
Output Difference (Out 1 and Out 2)	Difference: ±1						%Vin
	Total: 100±1						

【Mechanical Specifications】

Total Mechanical Travel	360 Endless						°
Torque	MAX.4						mN·m
Thrust Load Tolerance	4						N
Radial Load Tolerance	4						N
Mass	Approx. 46						g

【Environmental Specifications】

Life Cycles	10 Million (Room Temp., No-load, Rotational direction CW/CCW)						Cycle
Operating Temperature Range	-40 ~ +100 (No condensation)						°C
Storage Temperature Range	-50 ~ +100 (No condensation)						°C
Vibration	5 - 500Hz(6min) 200m/s ² (20G) 3 directions 2 hours each						
Shock	1000m/s ² (100G) 6 directions 3 times						
EMS	100V/m 15k - 1GHz (ISO 11452)						
ESD (Case To Each Terminal)	MAX. ±25kV (IEC 61000-4-2)						
ESD (Between Each Terminal)	MAX. ±12kV (IEC 61000-4-2)						
IP Level	IP54						

Shielded Type		(5-turn)	(12-turn)	(30-turn)	(50-turn)	(60-turn)	
【Model No.】	Single Output	CP-22HS-5S	CP-22HS-12S	CP-22HS-30S	CP-22HS-50S	CP-22HS-60S	
	Parallel Output	CP-22HSP-5S	CP-22HSP-12S	CP-22HSP-30S	CP-22HSP-50S	CP-22HSP-60S	
	Cross Output	CP-22HSC-5S	CP-22HSC-12S	CP-22HSC-30S	CP-22HSC-50S	CP-22HSC-60S	

【Electrical Specifications】		
Torque	MAX. 25	mN·m
Mass	Approx. 46	g

【Environmental Specifications】	
IP Level	IP67

■ Handling Instruction

- This product will be locked a shaft at 50% output position with a stopper before shipping
- Do not use Hall-IC sensor as a variable resistor.
- This product may be influenced from external magnetic field.
- Use this sensor in the place where is protected from ESD.

We are here for you. Addresses and Contacts.

Headquarter Switzerland:

Angst+Pfister Sensors and Power AG
Thurgauerstrasse 66
CH-8050 Zurich
Phone +41 44 877 35 00
sensorsandpower@angst-pfister.com

Office Germany:

Angst+Pfister Sensors and Power Deutschland GmbH
Edisonstraße 16
D-85716 Unterschleißheim
Phone +49 89 374 288 87 00
sensorsandpower.de@angst-pfister.com

Scan here and get an overview of personal contacts!



sensorsandpower.angst-pfister.com
