

Fig.1
Dimension

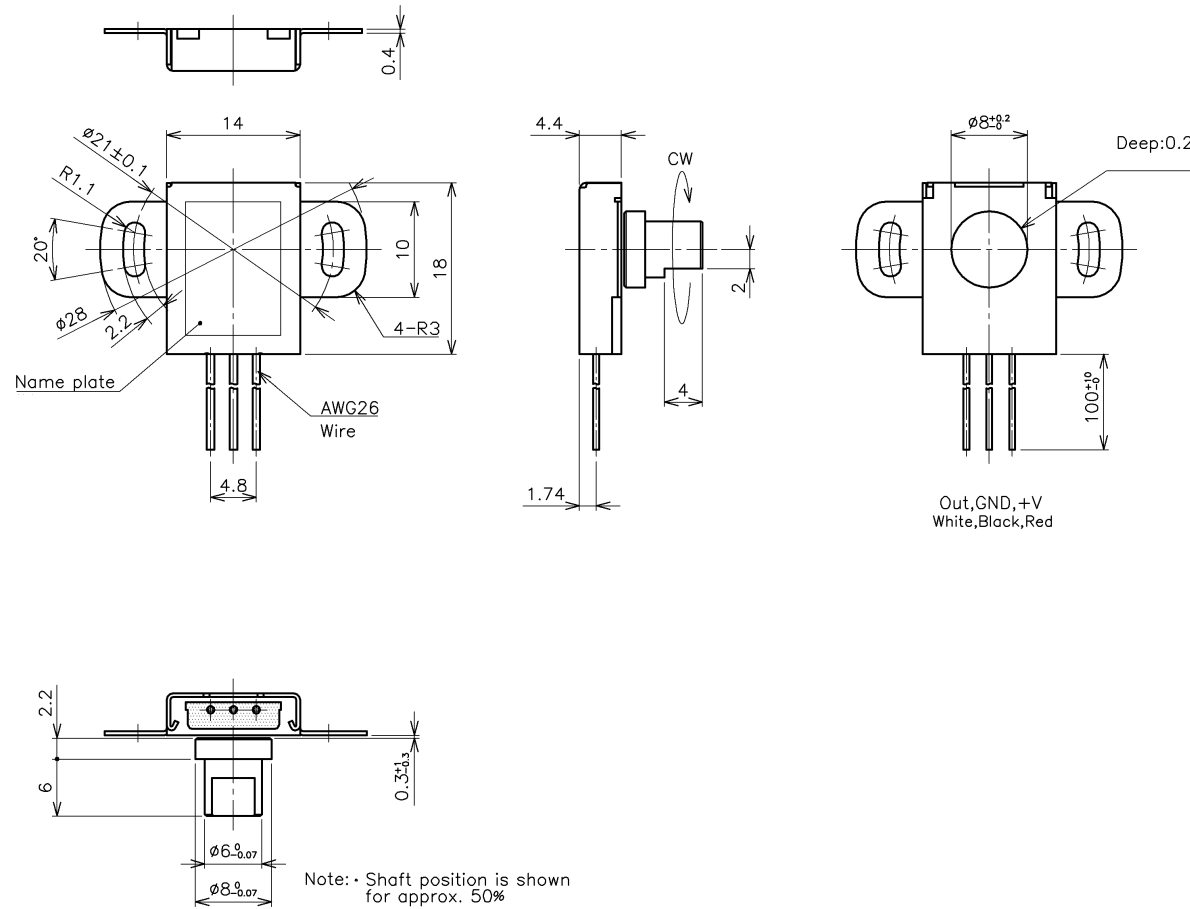


Fig.2
Output characteristic

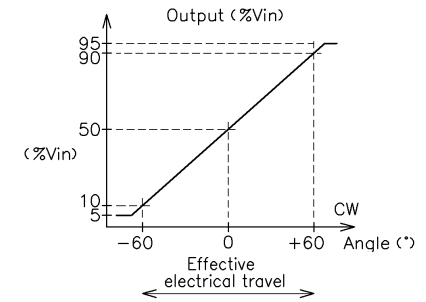
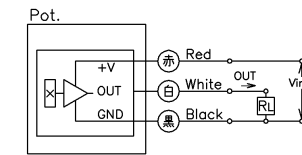


Fig.3
Schematic



• Red, white and black indicate wire colors.

△					
△					
改訂 REV	年月日 DATE	DESCRIPTION	承認 APPROVED	検図 CHECKED	作成 DRAWN
A3					

計 画 図 REFERENCE DRAWING		CUSTOMER/SPEC. NO.	
MODEL: CP-1HX-120R0			
承認 APPROVED	山崎	TOLERANCE 一般公差	DATE 2019.03.21
検図 CHECKED	山崎	≤ 10 ±0.25	SCALE 2:1
作成 DRAWN	大滝	10 < ≤ 100 ±0.5	
		100 < ±1.0	DRAWING PRACTICE
		ANGLE ±1.5°	
MIDORI PRECISIONS CO., LTD.			REV.
DRAWING NO. A-C1H-B33			0

This product compliance with RoHS.

Specifications

Output characteristic : See Fig.2
 Effective electrical travel : $\pm 60'$
 Absolute linearity : $\pm 2\%FS (= \pm 2.4')$: ($FS = \pm 60'$)
 Input voltage : DC5V $\pm 0.5V$
 Load resistance (R_L) : 10k Ω Min.
 Supply current : 10mA Max.
 Insulation resistance : 100M Ω Min. DC50V (Room temp. and humidity)
 Resolution : 12bit (0~100%Vin)
 Hysteresis : 1%FS Max.
 Response time : 0.9ms MAX. (Electrical delay of output for mechanical input)
 Temp. Characteristic : $\pm 1\%FS (\pm 1.2')$ (Reference temp.+25 $^{\circ}C$)
 -40~+85 $^{\circ}C$
 Mass : Approx. 5g
 Harness strength : Wire tensile 10N, 1minute all wires.
 Dimension : See Fig.1
 Schematic : See Fig.3

Operating temperature range : -40~+85 $^{\circ}C$ (No condensation)
 Storage temperature range : -40~+85 $^{\circ}C$ (No condensation)
 IP Level : IP67
 Vibration : 200m/s², 5~500Hz, 10min (Half cycle), 3axis 2hours (Room temp.)
 Shock : 500m/s², 11ms, 3axis 3times (Room temp.)
 EMS : 100V/m, 1MHz~1GHz (ISO11452-2,-3)
 Output error: $\pm 1\%FS$
 EMI : CISPR25 Class 3
 ESD (Case to each terminal) : Contact discharge, $\pm 15kV$ (IEC61000-4-2)
 ESD (Between each terminal) : Contact discharge, $\pm 15kV$ (IEC61000-4-2)

Note

1. As this product is using "CMOS IC", handling of harness must be done under the ESD protection.
2. This product may have external magnetic influence of the apparatus which generates a magnetic field.

REFERENCE DRAWING			CUSTOMER/SPEC. NO.	
MODEL: CP-1HX-120R0				
承認 APPROVED	TOLERANCE	DATE	MIDORI PRECISIONS CO., LTD.	
検閲 CHECKED	≤ 10 ± 0.25	SCALE	図番 DRAWING NO.	REV.
作成 DRAWN	10< ≤ 100 ± 0.5	DRAWING PRACTICE	A-C1H-B33	0
	100< ± 1.0			
	ANGLE $\pm 1.5'$			

A3

We are here for you. Addresses and Contacts.

Headquarter Switzerland:

Angst+Pfister Sensors and Power AG
Thurgauerstrasse 66
CH-8050 Zurich
Phone +41 44 877 35 00
sensorsandpower@angst-pfister.com

Office Germany:

Angst+Pfister Sensors and Power Deutschland GmbH
Edisonstraße 16
D-85716 Unterschleißheim
Phone +49 89 374 288 87 00
sensorsandpower.de@angst-pfister.com

Scan here and get an overview of personal contacts!



sensorsandpower.angst-pfister.com