

This product compliance with RoHS.

Fig.1

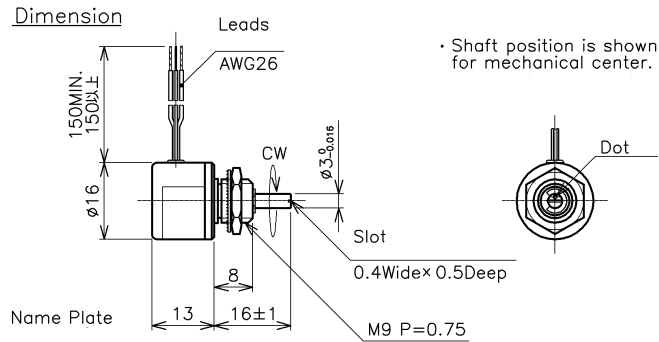
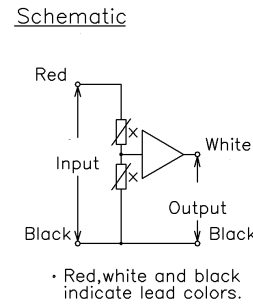


Fig.4



Specifications

Output characteristics	: See Fig.2
Electrical travel	: ±60°
Output sensitivity	: 0.35~0.65%Vin/°
Independent linearity	: ±2.5%FS (=±3°) ; (FS=120°)
Input voltage	: DC 3~5.5V
Load resistance	: 100kΩ MIN.
Supply current	: 0.6mA MAX.
Insulation resistance	: 100MΩ MIN. DC500V
Dielectric strength	: AC500V 1minutes
Frequency response	: 100kHz MIN. (-3dB)
Total mechanical travel	: 360° Endless
Torque	: 0.1mN·m MAX.
Mass	: Approx.10g
Radial load tolerance	: 5N
Thrust load tolerance	: 1N
Operating temperature	: -30~+100℃
Storage temperature	: -40~+100℃
Temp. characteristics	: See Fig.3
Vibration	: 200m/s ² 5~500Hz (20分) X,Y,Z Axis 2hours
Shock	: 1000m/s ² 11ms X,Y,Z Axis 3times.
EMS	: 25V/m. 1MHz~1GHz (ISO11452-2,-3) Output error: ±1%FS
ESD (Case to each terminal)	: Contact discharge, ±4kV (IEC61000-4-2)
ESD (Between each terminal)	: Contact discharge, ±8kV (IEC61000-4-2)
Dimension	: See Fig.1
Schematic	: See Fig.4

Fig.2

Output characteristics

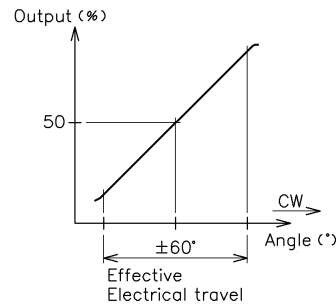
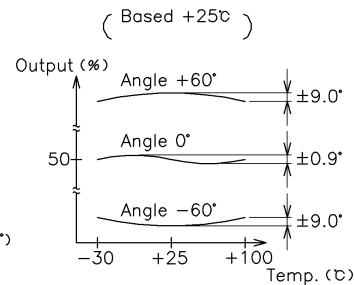


Fig.3

Temp. characteristics



Note

1. As this product is using "CMOS IC", handling of harness must be done under the ESD protection.
2. This product may have external magnetic influence of the apparatus which generates a magnetic field.
3. When the shaft is coupled, please do not apply heavy load to it.

REV.	DATE	DESCRIPTION	APPROVED	CHECKED	DRAWN
A3					

SPECIFICATION DRAWING			CUSTOMER/SPEC. NO.		
MODEL: CP-16U-1					
APPROVED	TOLERANCE	DATE	2016.2.10	MIDORI PRECISIONS CO., LTD.	
CHECKED	±10 ±0.25	SCALE	1:1	DRAWING NO.	
DRAWN	10< ±100 ±0.5	DRAWING PRACTICE		A-UCG-B02	REV. 0
	100< ±1.0				
	ANGLE ±1.5°				

We are here for you. Addresses and Contacts.

Headquarter Switzerland:

Angst+Pfister Sensors and Power AG
Thurgauerstrasse 66
CH-8050 Zurich
Phone +41 44 877 35 00
sensorsandpower@angst-pfister.com

Office Germany:

Angst+Pfister Sensors and Power Deutschland GmbH
Edisonstraße 16
D-85716 Unterschleißheim
Phone +49 89 374 288 87 00
sensorsandpower.de@angst-pfister.com

Scan here and get an overview of personal contacts!



sensorsandpower.angst-pfister.com